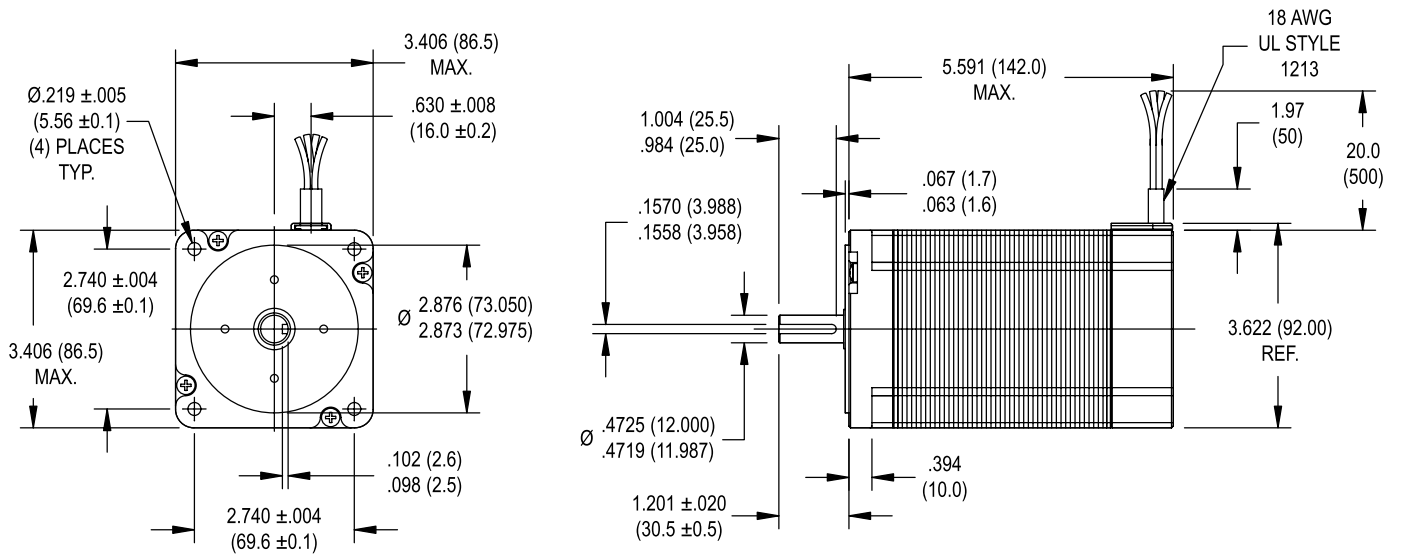
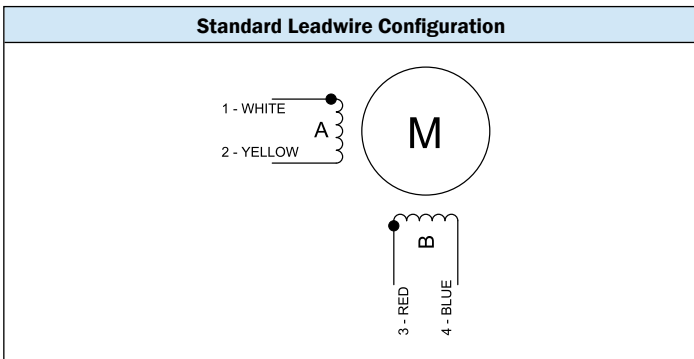
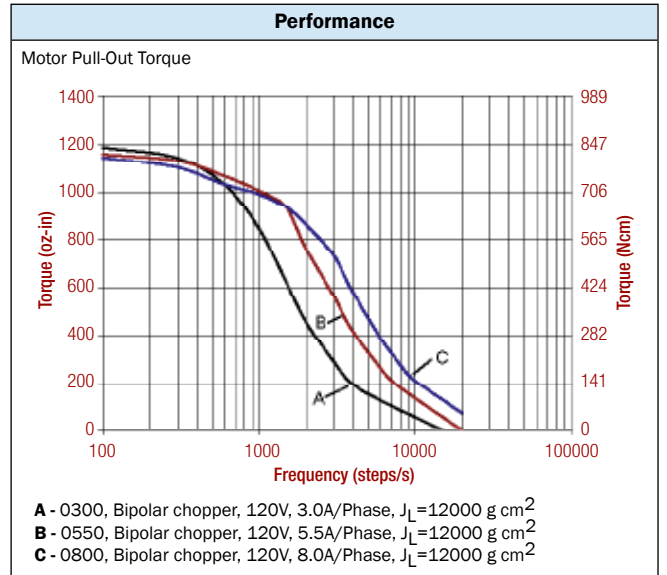


# SIZE 34 HIGH PERFORMANCE STEPPER MOTOR DATA



Specification	Units	HS 200 3455		
		0300	0550	0800
Rated Phase Current	A	3.00	5.50	8.00
Phase Resistance	$\Omega$	1.70	0.55	0.29
Phase Inductance	mH	20	5.6	2.6
Holding Torque Unipolar	oz-in Ncm	—	—	—
Holding Torque Bipolar	oz-in Ncm	1416 1000	1416 1000	1416 1000
Detent Torque	oz-in Ncm	42 30	42 30	42 30
Rotor Inertia	oz-in-s <sup>2</sup> $\times 10^{-4}$ g-cm <sup>2</sup>	694 4900	694 4900	694 4900
Motor Weight (Mass)	lb kg	10.8 4.9	10.8 4.9	10.8 4.9
Maximum Voltage	V	160	160	160
Std. No. of Leads	—	4	4	4



- Standard Features**
- Step angle: 1.8°
  - Step angle accuracy: 5%
  - Insulation class: B (130° C)
  - Optimized for microstep operation
  - NEMA 34 mounting configuration
  - Neodymium magnets
  - Additional windings and customization options available

- Complementary Products**
- Gearboxes
  - Encoders