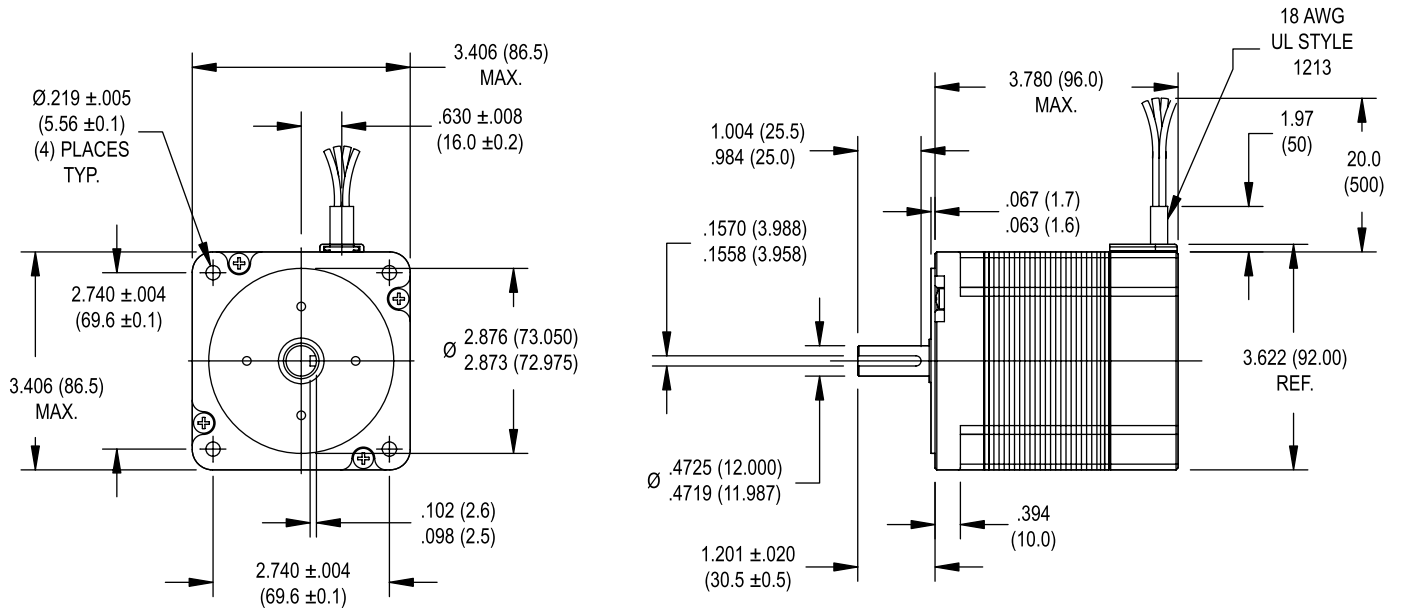
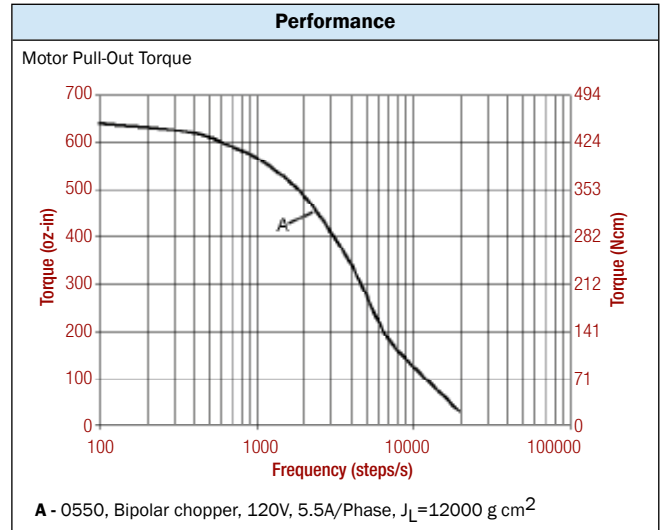


SIZE 34 HIGH PERFORMANCE STEPPER MOTOR DATA



Specification	Units	HS 200 3437		
		0300	0550	0800
Rated Phase Current	A	3.00	5.50	8.00
Phase Resistance	Ω	1.37	0.42	0.19
Phase Inductance	mH	11	3.6	1.6
Holding Torque Unipolar	oz-in Ncm	—	—	—
Holding Torque Bipolar	oz-in Ncm	779 550	779 550	779 550
Detent Torque	oz-in Ncm	28 20	28 20	28 20
Rotor Inertia	oz-in-s ² $\times 10^{-4}$ g-cm ²	490 3460	490 3460	490 3460
Motor Weight (Mass)	lb kg	6.6 3.0	6.6 3.0	6.6 3.0
Maximum Voltage	V	160	160	160
Std. No. of Leads	—	4	4	4



- Standard Features**
- Step angle: 1.8°
 - Step angle accuracy: 5%
 - Insulation class: B (130° C)
 - Optimized for microstep operation
 - NEMA 34 mounting configuration
 - Neodymium magnets
 - Additional windings and customization options available

- Complementary Products**
- Gearboxes
 - Encoders

