

S-SERVO[®]

Stepping Motor Control System Without Step Out

- **Completely free from the Concern of Loss of Position,**
(Alarm Generation when Step-Out)
- **Perfect Positioning and Completion,**
(Positioning Completion Signal Generation)
- **Don't Care what the Phase of Motor is,**
(Position Accuracy only Related to Encoder Resolution)
- **Reduce the Motor Temperature and Energy Usage,**
(Current Control According to load)
- **Torque Improvement by Boost Current Control,**
(Max, 150% Current Control)



CE

FASTECH

Fast, Accurate, Smooth Motion

S-SERVO[®]

Stepping motor control system without step out

S-SERVO adopted closed loop stepping motor system which perfectly resolves the problems of current open loop control stepping motor system such as **Step Out** and **Positioning Completion Check**.

Regardless of motor type (2 Phase, 5 Phase), position precision only related to encoder so **High Precision Positioning** is always possible.

Existing step driver resolution can be heated easily because of constant current goes into the motor regardless of loads magnitude. However S-SERVO enables to reduce high temperature of the motor and save **Energy Usage**. In addition, the Acc/Dec characteristics can be improved significantly by **Boost Current** (Up to 150%).

Characteristics

1. Completely Free from the Concern of Loss of Position.

(Alarm will be generated when step out)

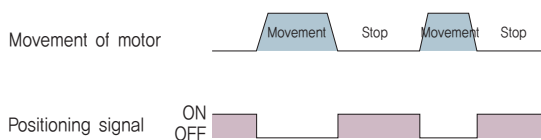
Because of mounted encoder constantly monitor the current position, step out cannot be occurred. If step out occurred by external force of overloads, alarm signal will be sent to upper controller. Thus, upper controller can recognize step out of step motor



2. Perfect Positioning Completion Check

(Positioning completion signal will be generated)

When motor stops at the goal position, encoder detect it and send positioning completion signal to upper controller. Therefore S-SERVO resolve the problem of unclear positioning of current Open Loop System



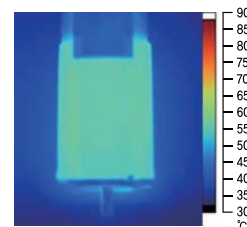
3. Position Precision is Only Related to Encoder

S-SERVO controls position by using high precision of encoder. Regardless of motor type (2 Phase or 5 Phase), S-SERVO position precision is only related to mounted encoder resolution so high precision of positioning is possible unlike open loop micro step motor and driver which adapts 2 Phase or 5 Phase motor.

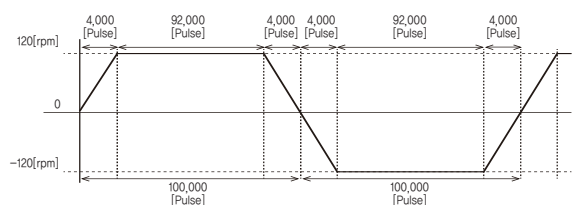
4. Reduce the Motor Temperature and Energy Usage.

(Current control according to load)

S-SERVO automatically control the motor current according to loads. Thus, febricity of motor and drive are minimized so can save the energy as well.



Motor temperature [measured by thermograph]

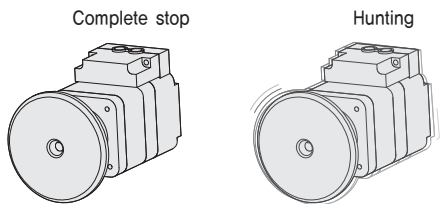


Condition to measure the motor temperature [Speed profile]



5. Complete Stop

It completely stop when motor stops so hunting cannot be occurred. It is suitable for high speed inspection equipment using vision.

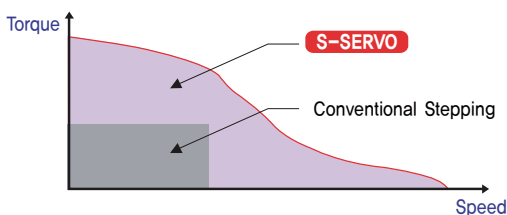


7. Variety of Protection Functions and Alarm Signal.

Drive and equipment can be protected by the alarm (12 kinds) of such as motor connection error, encoder connection error etc.

6. High Torque and High Speed

S-SERVO detect current position by encoder feedback so can keep the high torque against the 100% loads and high speed. Current Open Loop System cannot drive against 100% loads because of false operation by step out.

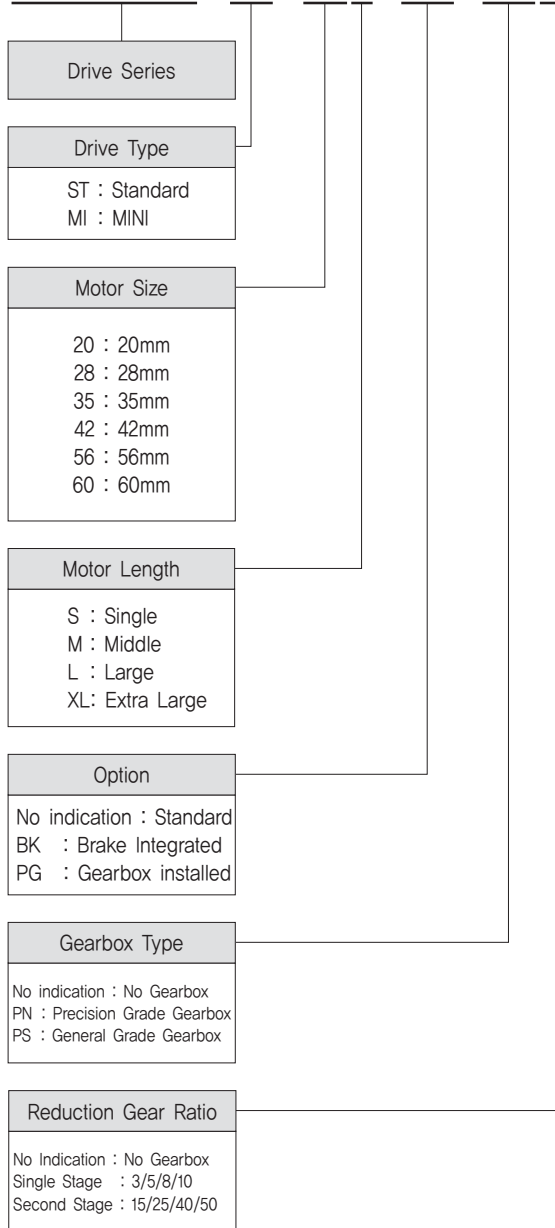


8. Variety of Position Command Unit

According to the purpose of usage, S-SERVO offer 16 stage (500~50,000P/R) of position command unit.

S-SERVO ST Part Numbering

S-SERVO-ST-42S-PG-PN10



Standard Motor, Drive Combination

◆ S-SERVO ST Drive Products

Unit Part Number	Motor Part Number	Drive Part Number
S-SERVO-ST-20M	SM-20M	SV-PD-20M
S-SERVO-ST-20L	SM-20L	SV-PD-20L
S-SERVO-ST-28S	SM-28S	SV-PD-28S
S-SERVO-ST-28M	SM-28M	SV-PD-28M
S-SERVO-ST-28L	SM-28L	SV-PD-28L
S-SERVO-ST-35M	SM-35M	SV-PD-35M
S-SERVO-ST-35L	SM-35L	SV-PD-35L
S-SERVO-ST-42S	SM-42S	SV-PD-42S
S-SERVO-ST-42M	SM-42M	SV-PD-42M
S-SERVO-ST-42L	SM-42L	SV-PD-42L
S-SERVO-ST-42XL	SM-42XL	SV-PD-42XL
S-SERVO-ST-56S	SM-56S	SV-PD-56S
S-SERVO-ST-56M	SM-56M	SV-PD-56M
S-SERVO-ST-56L	SM-56L	SV-PD-56L
S-SERVO-ST-60S	SM-60S	SV-PD-60S
S-SERVO-ST-60M	SM-60M	SV-PD-60M
S-SERVO-ST-60L	SM-60L	SV-PD-60L

◆ S-SERVO MINI Drive Products

Unit Part Number	Motor Part Number	Drive Part Number
S-SERVO-MI-20M	SM-20M	SV-PD-MI-20M
S-SERVO-MI-20L	SM-20L	SV-PD-MI-20L
S-SERVO-MI-28S	SM-28S	SV-PD-MI-28S
S-SERVO-MI-28M	SM-28M	SV-PD-MI-28M
S-SERVO-MI-28L	SM-28L	SV-PD-MI-28L
S-SERVO-MI-35M	SM-35M	SV-PD-MI-35M
S-SERVO-MI-35L	SM-35L	SV-PD-MI-35L
S-SERVO-MI-42S	SM-42S	SV-PD-MI-42S
S-SERVO-MI-42M	SM-42M	SV-PD-MI-42M
S-SERVO-MI-42L	SM-42L	SV-PD-MI-42L
S-SERVO-MI-42XL	SM-42XL	SV-PD-MI-42XL

Brake Integrated Motor, Drive Combination

◆ S-SERVO ST Drive Products

Unit Part Number	Motor Part Number	Drive Part Number
S-SERVO-ST-42S-BK	SM-42S-BK	SV-PD-42S-BK
S-SERVO-ST-42M-BK	SM-42M-BK	SV-PD-42M-BK
S-SERVO-ST-42L-BK	SM-42L-BK	SV-PD-42L-BK
S-SERVO-ST-42XL-BK	SM-42XL-BK	SV-PD-42XL-BK
S-SERVO-ST-56S-BK	SM-56S-BK	SV-PD-56S-BK
S-SERVO-ST-56M-BK	SM-56M-BK	SV-PD-56M-BK
S-SERVO-ST-56L-BK	SM-56L-BK	SV-PD-56L-BK
S-SERVO-ST-60S-BK	SM-60S-BK	SV-PD-60S-BK
S-SERVO-ST-60M-BK	SM-60M-BK	SV-PD-60M-BK
S-SERVO-ST-60L-BK	SM-60L-BK	SV-PD-60L-BK

◆ S-SERVO MINI Drive Products

Unit Part Number	Motor Part Number	Drive Part Number
S-SERVO-MI-42S-BK	SM-42S-BK	SV-PD-MI-42S-BK
S-SERVO-MI-42M-BK	SM-42M-BK	SV-PD-MI-42M-BK
S-SERVO-MI-42L-BK	SM-42L-BK	SV-PD-MI-42L-BK
S-SERVO-MI-42XL-BK	SM-42XL-BK	SV-PD-MI-42XL-BK

Gearbox Integrated Motor, Drive Combination

◆ S-SERVO ST Drive Products

Unit Part Number	Motor Part Number	Drive Part Number	Reduction gear ratio
S-SERVO-ST-42S-PG-PN3	SM-42S-PG-PN3	SV-PD-42S	1:3
S-SERVO-ST-42S-PG-PN5	SM-42S-PG-PN5		1:5
S-SERVO-ST-42S-PG-PN8	SM-42S-PG-PN8		1:8
S-SERVO-ST-42S-PG-PN10	SM-42S-PG-PN10		1:10
S-SERVO-ST-42S-PG-PN15	SM-42S-PG-PN15		1:15
S-SERVO-ST-42S-PG-PN25	SM-42S-PG-PN25		1:25
S-SERVO-ST-42S-PG-PN40	SM-42S-PG-PN40		1:40
S-SERVO-ST-42S-PG-PN50	SM-42S-PG-PN50		1:50
S-SERVO-ST-42M-PG-PN3	SM-42M-PG-PN3	SV-PD-42M	1:3
S-SERVO-ST-42M-PG-PN5	SM-42M-PG-PN5		1:5
S-SERVO-ST-42M-PG-PN8	SM-42M-PG-PN8		1:8
S-SERVO-ST-42M-PG-PN10	SM-42M-PG-PN10		1:10
S-SERVO-ST-42M-PG-PN15	SM-42M-PG-PN15		1:15
S-SERVO-ST-42M-PG-PN25	SM-42M-PG-PN25		1:25
S-SERVO-ST-42M-PG-PN40	SM-42M-PG-PN40		1:40
S-SERVO-ST-42M-PG-PN50	SM-42M-PG-PN50		1:50
S-SERVO-ST-42L-PG-PN3	SM-42L-PG-PN3	SV-PD-42L	1:3
S-SERVO-ST-42L-PG-PN5	SM-42L-PG-PN5		1:5
S-SERVO-ST-42L-PG-PN8	SM-42L-PG-PN8		1:8
S-SERVO-ST-42L-PG-PN10	SM-42L-PG-PN10		1:10
S-SERVO-ST-42L-PG-PN15	SM-42L-PG-PN15		1:15
S-SERVO-ST-42L-PG-PN25	SM-42L-PG-PN25		1:25
S-SERVO-ST-42L-PG-PN40	SM-42L-PG-PN40		1:40
S-SERVO-ST-42L-PG-PN50	SM-42L-PG-PN50		1:50
S-SERVO-ST-42XL-PG-PN3	SM-42XL-PG-PN3	SV-PD-42XL	1:3
S-SERVO-ST-42XL-PG-PN5	SM-42XL-PG-PN5		1:5
S-SERVO-ST-42XL-PG-PN8	SM-42XL-PG-PN8		1:8
S-SERVO-ST-42XL-PG-PN10	SM-42XL-PG-PN10		1:10
S-SERVO-ST-42XL-PG-PN15	SM-42XL-PG-PN15		1:15
S-SERVO-ST-42XL-PG-PN25	SM-42XL-PG-PN25		1:25
S-SERVO-ST-42XL-PG-PN40	SM-42XL-PG-PN40		1:40
S-SERVO-ST-42XL-PG-PN50	SM-42XL-PG-PN50		1:50
S-SERVO-ST-56S-PG-PN3	SM-56S-PG-PN3	SV-PD-56S	1:3
S-SERVO-ST-56S-PG-PN5	SM-56S-PG-PN5		1:5
S-SERVO-ST-56S-PG-PN8	SM-56S-PG-PN8		1:8
S-SERVO-ST-56S-PG-PN10	SM-56S-PG-PN10		1:10
S-SERVO-ST-56S-PG-PN15	SM-56S-PG-PN15		1:15
S-SERVO-ST-56S-PG-PN25	SM-56S-PG-PN25		1:25
S-SERVO-ST-56S-PG-PN40	SM-56S-PG-PN40		1:40
S-SERVO-ST-56S-PG-PN50	SM-56S-PG-PN50		1:50
S-SERVO-ST-56M-PG-PN3	SM-56M-PG-PN3	SV-PD-56M	1:3
S-SERVO-ST-56M-PG-PN5	SM-56M-PG-PN5		1:5
S-SERVO-ST-56M-PG-PN8	SM-56M-PG-PN8		1:8
S-SERVO-ST-56M-PG-PN10	SM-56M-PG-PN10		1:10
S-SERVO-ST-56M-PG-PN15	SM-56M-PG-PN15		1:15
S-SERVO-ST-56M-PG-PN25	SM-56M-PG-PN25		1:25
S-SERVO-ST-56M-PG-PN40	SM-56M-PG-PN40		1:40
S-SERVO-ST-56M-PG-PN50	SM-56M-PG-PN50		1:50
S-SERVO-ST-56L-PG-PN3	SM-56L-PG-PN3	SV-PD-56L	1:3
S-SERVO-ST-56L-PG-PN5	SM-56L-PG-PN5		1:5
S-SERVO-ST-56L-PG-PN8	SM-56L-PG-PN8		1:8
S-SERVO-ST-56L-PG-PN10	SM-56L-PG-PN10		1:10
S-SERVO-ST-56L-PG-PN15	SM-56L-PG-PN15		1:15
S-SERVO-ST-56L-PG-PN25	SM-56L-PG-PN25		1:25
S-SERVO-ST-56L-PG-PN40	SM-56L-PG-PN40		1:40
S-SERVO-ST-56L-PG-PN50	SM-56L-PG-PN50		1:50

Unit Part Number	Motor Part Number	Drive Part Number	Reduction gear ratio
S-SERVO-ST-60S-PG-PN3	SM-60S-PG-PN3	SV-PD-60S	1:3
S-SERVO-ST-60S-PG-PN5	SM-60S-PG-PN5		1:5
S-SERVO-ST-60S-PG-PN8	SM-60S-PG-PN8		1:8
S-SERVO-ST-60S-PG-PN10	SM-60S-PG-PN10		1:10
S-SERVO-ST-60S-PG-PN15	SM-60S-PG-PN15		1:15
S-SERVO-ST-60S-PG-PN25	SM-60S-PG-PN25		1:25
S-SERVO-ST-60S-PG-PN40	SM-60S-PG-PN40		1:40
S-SERVO-ST-60S-PG-PN50	SM-60S-PG-PN50		1:50
S-SERVO-ST-60M-PG-PN3	SM-60M-PG-PN3	SV-PD-60M	1:3
S-SERVO-ST-60M-PG-PN5	SM-60M-PG-PN5		1:5
S-SERVO-ST-60M-PG-PN8	SM-60M-PG-PN8		1:8
S-SERVO-ST-60M-PG-PN10	SM-60M-PG-PN10		1:10
S-SERVO-ST-60M-PG-PN15	SM-60M-PG-PN15		1:15
S-SERVO-ST-60M-PG-PN25	SM-60M-PG-PN25		1:25
S-SERVO-ST-60M-PG-PN40	SM-60M-PG-PN40		1:40
S-SERVO-ST-60M-PG-PN50	SM-60M-PG-PN50		1:50
S-SERVO-ST-60L-PG-PN3	SM-60L-PG-PN3	SV-PD-60L	1:3
S-SERVO-ST-60L-PG-PN5	SM-60L-PG-PN5		1:5
S-SERVO-ST-60L-PG-PN8	SM-60L-PG-PN8		1:8
S-SERVO-ST-60L-PG-PN10	SM-60L-PG-PN10		1:10
S-SERVO-ST-60L-PG-PN15	SM-60L-PG-PN15		1:15
S-SERVO-ST-60L-PG-PN25	SM-60L-PG-PN25		1:25
S-SERVO-ST-60L-PG-PN40	SM-60L-PG-PN40		1:40
S-SERVO-ST-60L-PG-PN50	SM-60L-PG-PN50		1:50

◆ S-SERVO MINI Drive Products

Unit Part Number	Motor Part Number	Drive Part Number	Reduction gear ratio
S-SERVO-MI-42S-PG-PN3	SM-42S-PG-PN3	SV-PD-MI-42S	1:3
S-SERVO-MI-42S-PG-PN5	SM-42S-PG-PN5		1:5
S-SERVO-MI-42S-PG-PN8	SM-42S-PG-PN8		1:8
S-SERVO-MI-42S-PG-PN10	SM-42S-PG-PN10		1:10
S-SERVO-MI-42S-PG-PN15	SM-42S-PG-PN15		1:15
S-SERVO-MI-42S-PG-PN25	SM-42S-PG-PN25		1:25
S-SERVO-MI-42S-PG-PN40	SM-42S-PG-PN40		1:40
S-SERVO-MI-42S-PG-PN50	SM-42S-PG-PN50		1:50
S-SERVO-MI-42M-PG-PN3	SM-42M-PG-PN3	SV-PD-MI-42M	1:3
S-SERVO-MI-42M-PG-PN5	SM-42M-PG-PN5		1:5
S-SERVO-MI-42M-PG-PN8	SM-42M-PG-PN8		1:8
S-SERVO-MI-42M-PG-PN10	SM-42M-PG-PN10		1:10
S-SERVO-MI-42M-PG-PN15	SM-42M-PG-PN15		1:15
S-SERVO-MI-42M-PG-PN25	SM-42M-PG-PN25		1:25
S-SERVO-MI-42M-PG-PN40	SM-42M-PG-PN40		1:40
S-SERVO-MI-42M-PG-PN50	SM-42M-PG-PN50		1:50
S-SERVO-MI-42L-PG-PN3	SM-42L-PG-PN3	SV-PD-MI-42L	1:3
S-SERVO-MI-42L-PG-PN5	SM-42L-PG-PN5		1:5
S-SERVO-MI-42L-PG-PN8	SM-42L-PG-PN8		1:8
S-SERVO-MI-42L-PG-PN10	SM-42L-PG-PN10		1:10
S-SERVO-MI-42L-PG-PN15	SM-42L-PG-PN15		1:15
S-SERVO-MI-42L-PG-PN25	SM-42L-PG-PN25		1:25
S-SERVO-MI-42L-PG-PN40	SM-42L-PG-PN40		1:40
S-SERVO-MI-42L-PG-PN50	SM-42L-PG-PN50		1:50
S-SERVO-MI-42XL-PG-PN3	SM-42XL-PG-PN3	SV-PD-MI-42XL	1:3
S-SERVO-MI-42XL-PG-PN5	SM-42XL-PG-PN5		1:5
S-SERVO-MI-42XL-PG-PN8	SM-42XL-PG-PN8		1:8
S-SERVO-MI-42XL-PG-PN10	SM-42XL-PG-PN10		1:10
S-SERVO-MI-42XL-PG-PN15	SM-42XL-PG-PN15		1:15
S-SERVO-MI-42XL-PG-PN25	SM-42XL-PG-PN25		1:25
S-SERVO-MI-42XL-PG-PN40	SM-42XL-PG-PN40		1:40
S-SERVO-MI-42XL-PG-PN50	SM-42XL-PG-PN50		1:50

Drive Specifications

1. Functions / Specifications

Motor Model	SM-20 series	SM-28 series	SM-35 series	SM-42 series	SM-56 series	SM-60 series
Drive Type	SV-PD-20 series	SV-PD-28 series	SV-PD-35 series	SV-PD-42 series	SV-PD-56 series	SV-PD-60 series
	SV-PD-MI-20 series	SV-PD-MI-28 series	SV-PD-MI-35 series	SV-PD-MI-42 series	-	-
Input Voltage	24VDC ± 10%					
Control Method	Closed Loop control by ARM-based 32-bit MCU					
Current Consumption	Max 500mA (Except motor current)					
Operating Condition	Temperature	In use : 0~50°C In Storage : -20~70°C				
	Humidity	In use : 35~85%RH (Non-condensing) In Storage : 10~90%RH (Non-condensing)				
	Vib. Resist	0,5G				
Functions ^{*2}	Rotation Speed	0~3,000rpm ^{*1}				
	Resolution (P/R)	500 1,000 1,600 2,000 3,200 3,600 4,000 5,000 6,400 8,000 10,000 20,000 25,000 36,000 40,000 50,000 (Selectable by DIP switch)				
	Maximum Input	500KHz (Duty 50%)				
	Protection Functions	Over Current, Over Speed, Position Tracking Error, Over Load, Over Temperature, Over Regenerated Voltage, Motor Connection Error, Encoder Connection Error, Motor Voltage Error, In-Position Error, ROM Error, Position Overflow Error				
	LED Display	Power status, In-Position status, Enable status, Alarm status				
	STOP Current	20%~100% (Setting by using GUI) When motor stop operation, 0,1 second after motor current will be set to STOP current value, STOP current value is a percentage of the rated current of motor, * Default : 50%				
	Pulse Input Method	1-Pulse/2-Pulse (Selectable by DIP switch)				
	Rotational Direction	CW/CCW (Selectable by DIP switch)				
	Speed/Position Control Command	Pulse input				
Input Output Signal ^{*3}	Input Signal Functions	Position command pulse, Enable, Alarm reset (Photocoupler input)				
	Output Signal Functions	In-Position, Alarm (Photocoupler output)				

*1 Maximum speed is variable according to resolution, Maximum speed is 3,000rpm until resolution 10,000, Over the 10,000 resolution, maximum rotation speed will be reduced, Calculation is as follows

$$\text{Maximum rotation speed} = \frac{500\text{kHz}}{\text{Resolution}} \times 60$$

For example, if the resolution is 50,000, the maximum rotational speed is 600rpm.

*2 Please refer to 「Setting and operating」 (18 Page) to obtain detailed function information

*3 Please refer to 「Control Input/Output explanation」 (28 Page) to obtain detailed Input/Output signal information

Standard Motor Specification and Size

1. Motor Specification

20

28

35

Model	Unit	SM-20M	SM-20L	SM-28S	SM-28M	SM-28L	SM-35M	SM-35L
Current per Phase	A	0,6	0,6	0,67	0,67	0,67	0,8	1
Holding Torque	N · m	0,020	0,039	0,059	0,093	0,118	0,078	0,137
Rotor Inertia	g · cm ²	2,5	5	9	12	18	10	14
Weight	g	70	80	110	140	200	120	180
Length(L)	mm	33	38	32	45	51	26	36

42

56

60

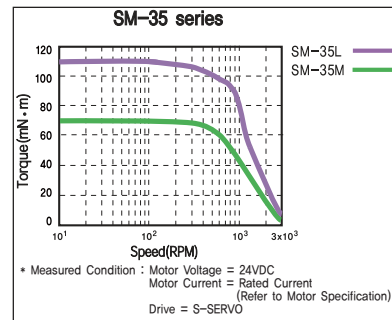
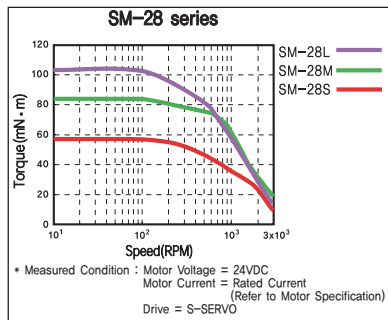
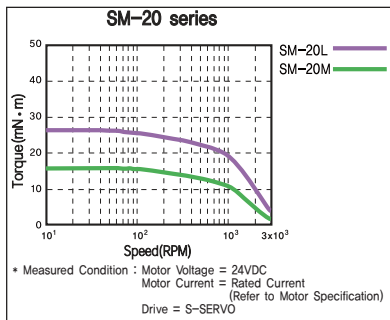
Model	Unit	SM-42S	SM-42M	SM-42L	SM-42XL	SM-56S	SM-56M	SM-56L	SM-60S	SM-60M	SM-60L
Current per Phase	A	1,33	1,68	1,68	1,2	2,8	2,8	2,8	4	4	4
Holding Torque	N · m	0,216	0,353	0,431	0,65	0,539	1,236	1,853	0,873	1,285	2,401
Rotor Inertia	g · cm ²	35	54	68	114	120	275	480	140	320	800
Weight	g	220	280	350	500	470	700	1000	600	900	1600
Length(L)	mm	33	39	47	59	41	51	76	46	56	90

2. Torque Characteristic

20

28

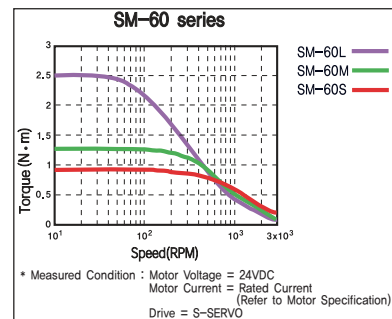
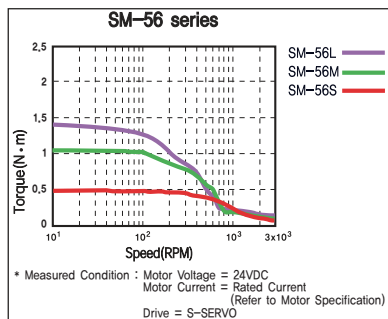
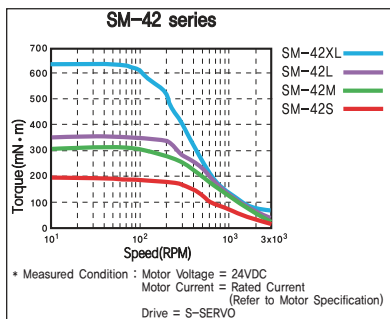
35



42

56

60

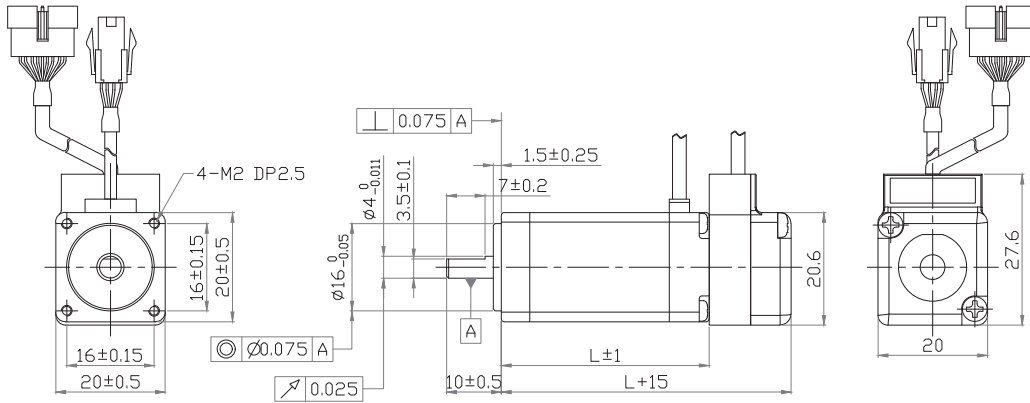


Standard Motor Specification and Size

3. Motor Size(mm)

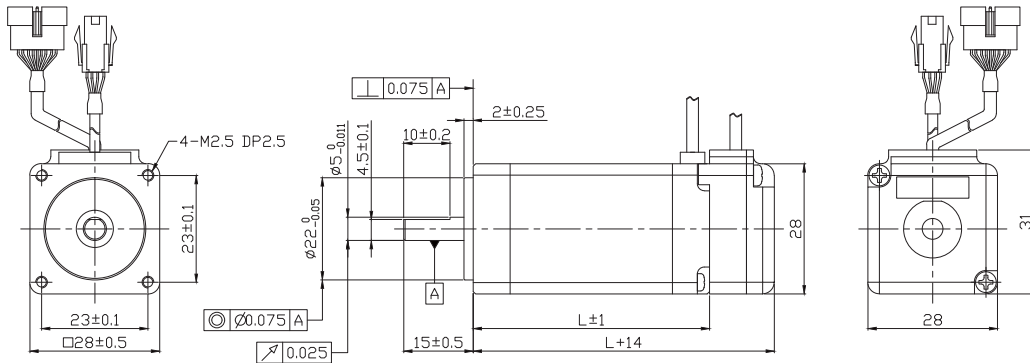
20

Model name	Length(L)
SM-20M	33mm
SM-20L	38mm



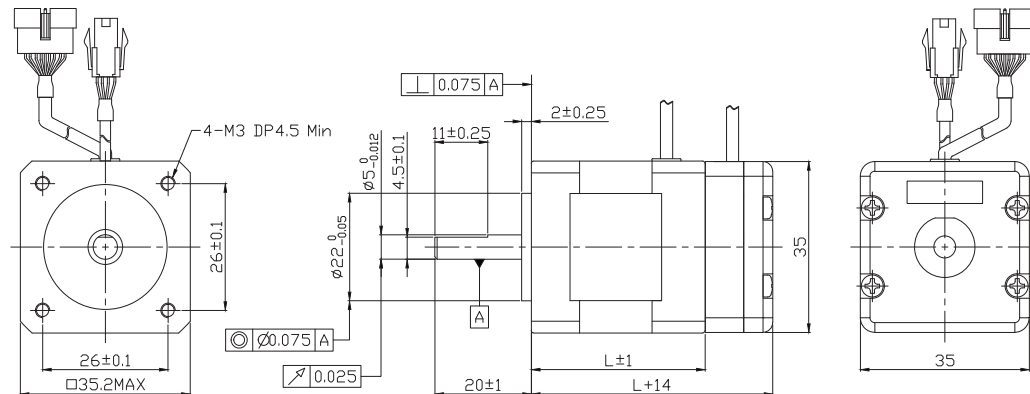
28

Model name	Length(L)
SM-28S	32mm
SM-28M	45mm
SM-28L	51mm



35

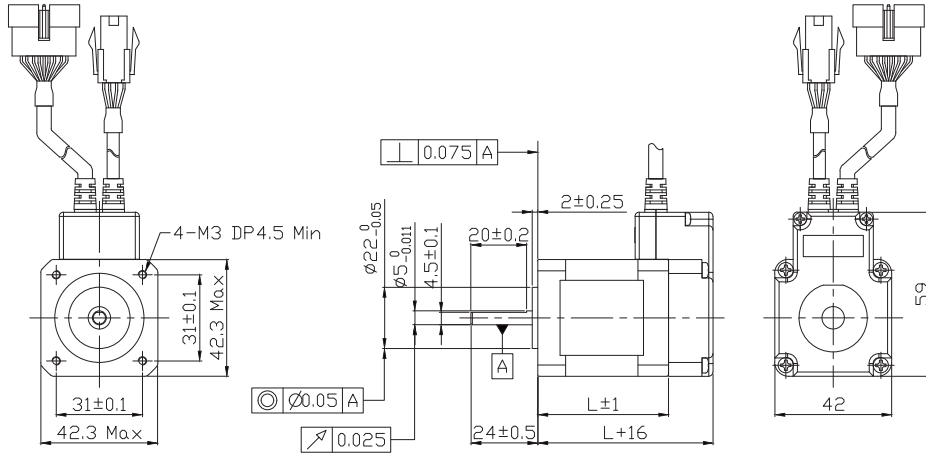
Model name	Length(L)
SM-35M	26mm
SM-35L	36mm



Standard Motor Specification and Size

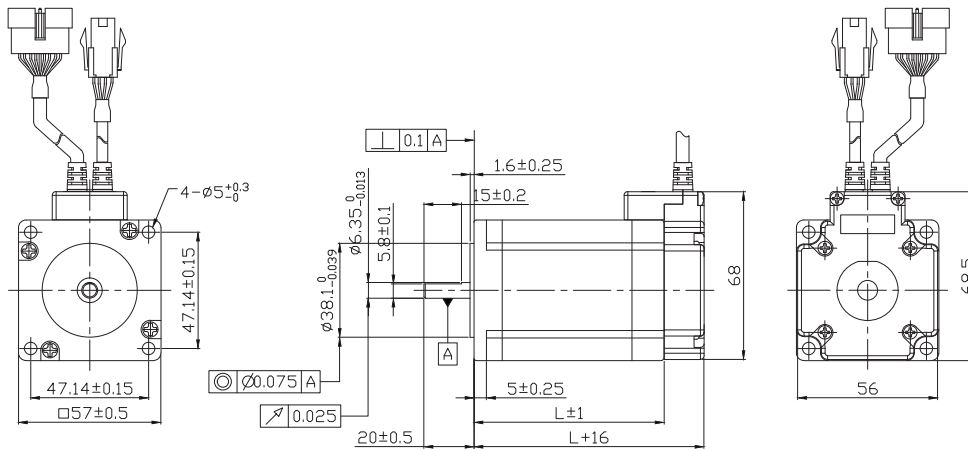
3. Motor Size(mm)

42



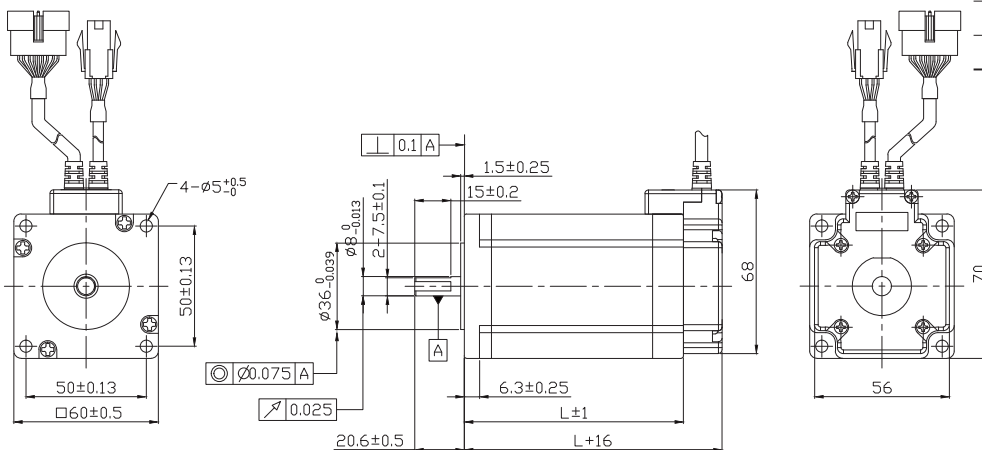
Model name	Length(L)
SM-42S	33mm
SM-42M	39mm
SM-42L	47mm
SM-42XL	59mm

56



Model name	Length(L)
SM-56S	41mm
SM-56M	51mm
SM-56L	76mm

60



Model name	Length(L)
SM-60S	46mm
SM-60M	56mm
SM-60L	90mm

Brake Installed Motor Specification and Size

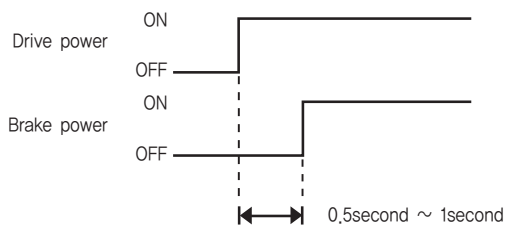
1. Motor Specification

Unit Part Number	Model Name	Electronic Brake					Motor Unit Weight (g)	Permitted Overhung Load (N)				Permitted Thrust Load (N)
		Type	Voltage Input (V)	Rated Current (A)	Power Consumption	Statical Friction Torque (N · m)		Length from Motor Point (mm)				
								3	8	13	18	
S-SERVO-ST-42S-BK S-SERVO-MI-42S-BK	SM-42S-BK	Non-excitation run Type	24VDC ±10%	0,3A ±10%	8,2	0,2	510	22	26	33	46	Must be Lower than Unit's Weight
S-SERVO-ST-42M-BK S-SERVO-MI-42M-BK	SM-42M-BK						570					
S-SERVO-ST-42L-BK S-SERVO-MI-42L-BK	SM-42L-BK						640					
S-SERVO-ST-42XL-BK S-SERVO-MI-42XL-BK	SM-42XL-BK						770					
S-SERVO-56S-BK	SM-56S-BK				7,5	0,7	870	52	65	85	123	
S-SERVO-56M-BK	SM-56M-BK						1190					
S-SERVO-56L-BK	SM-56L-BK						1380					
S-SERVO-60S-BK	SM-60S-BK				7,5	0,7	1150	70	87	114	165	
S-SERVO-60M-BK	SM-60M-BK						1350					
S-SERVO-60L-BK	SM-60L-BK						1960					

- * Electronic Brake cannot be used for braking. Position hold purpose only when power OFF.
- * The weight means Motor Unit Weight including Motor and Electronic Brake.
- * Motor Model Name is combined model name of Motor and Brake.
- * Motor specification and torque characteristic are same as Standard Motor.

* Brake Operation Timing Chart

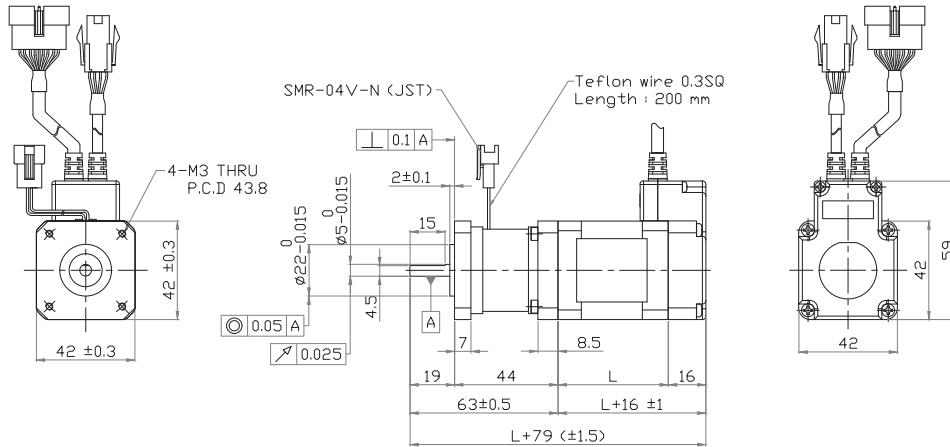
S-SERVO control Brake by Drive automatically.
Please refer to below Timing Chart when control Brake from upper controller other than using S-SERVO Brake control.
Otherwise, Drive malfunctioning and loads can be fall down.
Also, please do not operate Brake while motor operation to prevent damage.



Brake Installed Motor Specification and Size

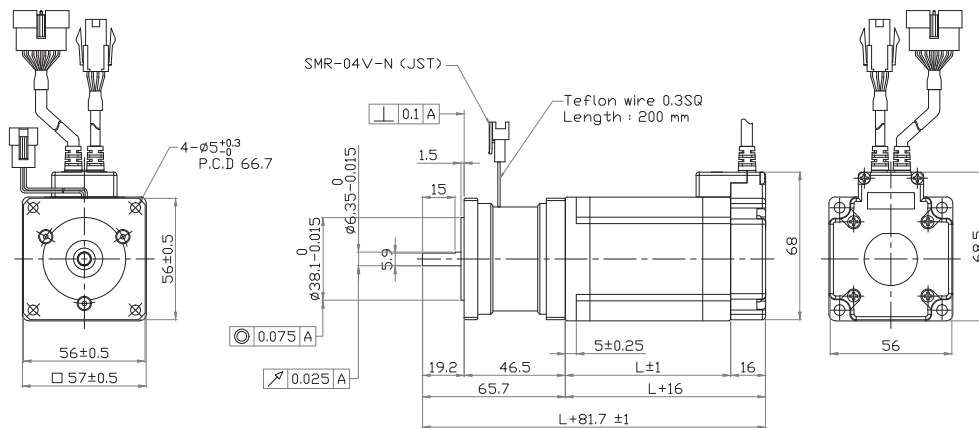
2. Motor Size(mm)

42



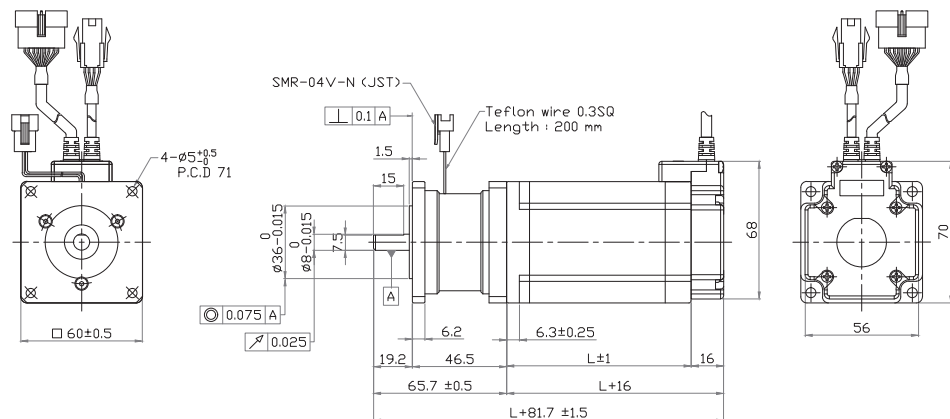
Model name	Length(L)
SM-42S	33mm
SM-42M	39mm
SM-42L	47mm
SM-42XL	59mm

56



Model name	Length(L)
SM-56S	41mm
SM-56M	51mm
SM-56L	76mm

60



Model name	Length(L)
SM-60S	46mm
SM-60M	56mm
SM-60L	90mm

Gearbox Installed Motor Specification and Size

1. Gearbox for 42mm Motor Specification

Model Name	Maximum Holding Torque (N · m)	Rotor Inertia Moment (Kg · m ²)	Backlash (min)	Angle Transmission Error (min)	Reduction Gear Ratio	Resolution (10,000ppr Standard)	Permitted Torque (N · m)	Maximum Torque (N · m)	Permitted Speed Range (rpm)	Unit Weight (Kg)	Permitted Overhung Load (N)		Permitted Thrust Load (N)			
											Axis Center Standard					
S-SERVO-ST-42S-PG-PN3 S-SERVO-MI-42S-PG-PN3	0.8	35x10 ⁻⁷	3	5	3	0.012 °	6	18	0~1000	0.89	240	270				
S-SERVO-ST-42S-PG-PN5 S-SERVO-MI-42S-PG-PN5	1.4				5	0.0072 °	9	18	0~600		290	330				
S-SERVO-ST-42S-PG-PN8 S-SERVO-MI-42S-PG-PN8					8	0.0045 °	9	18	0~375		340	410				
S-SERVO-ST-42S-PG-PN10 S-SERVO-MI-42S-PG-PN10	2.7				10	0.0036 °	6	12	0~333		360	450				
S-SERVO-ST-42S-PG-PN15 S-SERVO-MI-42S-PG-PN15	4.0		5	7	15	0.0024 °	6	12	0~300	0.99	410	540				
S-SERVO-ST-42S-PG-PN25 S-SERVO-MI-42S-PG-PN25	6.6				25	0.00144 °	9	18	0~120		490	640				
S-SERVO-ST-42S-PG-PN40 S-SERVO-MI-42S-PG-PN40	9.0				40	0.0009 °	9	18	0~75		570	640				
S-SERVO-ST-42S-PG-PN50 S-SERVO-MI-42S-PG-PN50					50	0.00072 °	9	18	0~60		620	640				
S-SERVO-ST-42M-PG-PN3 S-SERVO-MI-42M-PG-PN3	1.1				54x10 ⁻⁷	3	5	3	0.012 °		6	18	0~1000	0.96	240	270
S-SERVO-ST-42M-PG-PN5 S-SERVO-MI-42M-PG-PN5	1.9							5	0.0072 °		9	18	0~600		290	330
S-SERVO-ST-42M-PG-PN8 S-SERVO-MI-42M-PG-PN8		8	0.0045 °	9				18	0~375	340	410					
S-SERVO-ST-42M-PG-PN10 S-SERVO-MI-42M-PG-PN10	3.7	10	0.0036 °	6				12	0~333	360	450					
S-SERVO-ST-42M-PG-PN15 S-SERVO-MI-42M-PG-PN15	5.4	5	7	15		0.0024 °	6	12	0~300	1.06	410	540				
S-SERVO-ST-42M-PG-PN25 S-SERVO-MI-42M-PG-PN25	9.0			25		0.00144 °	9	18	0~120		490	640				
S-SERVO-ST-42M-PG-PN40 S-SERVO-MI-42M-PG-PN40				40		0.0009 °	9	18	0~75		570	640				
S-SERVO-ST-42M-PG-PN50 S-SERVO-MI-42M-PG-PN50	50			0.00072 °		9	18	0~60	620		640					
S-SERVO-ST-42L-PG-PN3 S-SERVO-MI-42L-PG-PN3	1.4			77x10 ⁻⁷		3	5	3	0.012 °		6	18	0~1000	1.02	240	270
S-SERVO-ST-42L-PG-PN5 S-SERVO-MI-42L-PG-PN5	2.4							5	0.0072 °		9	18	0~600		290	330
S-SERVO-ST-42L-PG-PN8 S-SERVO-MI-42L-PG-PN8	3.8	8	0.0045 °		9			18	0~375	340	410					
S-SERVO-ST-42L-PG-PN10 S-SERVO-MI-42L-PG-PN10	4.7	10	0.0036 °		6			12	0~333	360	450					
S-SERVO-ST-42L-PG-PN15 S-SERVO-MI-42L-PG-PN15	6.0	5	7		15	0.0024 °	6	12	0~300	1.12	410	540				
S-SERVO-ST-42L-PG-PN25 S-SERVO-MI-42L-PG-PN25	9.0				25	0.00144 °	9	18	0~120		490	640				
S-SERVO-ST-42L-PG-PN40 S-SERVO-MI-42L-PG-PN40					40	0.0009 °	9	18	0~75		570	640				
S-SERVO-ST-42L-PG-PN50 S-SERVO-MI-42L-PG-PN50	50				0.00072 °	9	18	0~60	620		640					
S-SERVO-ST-42XL-PG-PN3 S-SERVO-MI-42XL-PG-PN3	1.8				114x10 ⁻⁷	3	5	3	0.012 °		6	18	0~1000	1.15	240	270
S-SERVO-ST-42XL-PG-PN5 S-SERVO-MI-42XL-PG-PN5	3.0							5	0.0072 °		9	18	0~600		290	330
S-SERVO-ST-42XL-PG-PN8 S-SERVO-MI-42XL-PG-PN8	4.8	8	0.0045 °	9				18	0~375	340	410					
S-SERVO-ST-42XL-PG-PN10 S-SERVO-MI-42XL-PG-PN10	6.0	10	0.0036 °	6				12	0~333	360	450					
S-SERVO-ST-42XL-PG-PN15 S-SERVO-MI-42XL-PG-PN15		9.0	15	0.0024 °		6	12	0~300	410	540						
S-SERVO-ST-42XL-PG-PN25 S-SERVO-MI-42XL-PG-PN25	5		7	25		0.00144 °	9	18	0~120	490	640					
S-SERVO-ST-42XL-PG-PN40 S-SERVO-MI-42XL-PG-PN40				40		0.0009 °	9	18	0~75	570	640					
S-SERVO-ST-42XL-PG-PN50 S-SERVO-MI-42XL-PG-PN50	50		0.00072 °	9		18	0~60	620	640							

Gearbox Installed Motor Specification and Size

2. Gearbox for 56mm Motor Specification

Model Name	Maximum Holding Torque (N · m)	Rotor Inertia Moment (Kg · m ²)	Backlash (min)	Angle Transmission Error (min)	Reduction Gear Ratio	Resolution (10,000ppr Standard)	Permitted Torque (N · m)	Maximum Torque (N · m)	Permitted Speed Range (rpm)	Unit Weight (Kg)	Permitted Overhung Load (N)	Permitted Thrust Load (N)
											Axis Center Standard	
S-SERVO-ST-56S-PG-PN3	1,6	120x10 ⁻⁷	3	5	3	0,012 °	27	50	0~1000	1,34	430	310
S-SERVO-ST-56S-PG-PN5	2,7				5	0,0072 °	27	50	0~600		510	390
S-SERVO-ST-56S-PG-PN8	4,3				8	0,0045 °	27	50	0~375	1,88	600	480
S-SERVO-ST-56S-PG-PN10	5,3				10	0,0036 °	18	35	0~333		640	530
S-SERVO-ST-56S-PG-PN15	7,7				15	0,0024 °	18	35	0~300	2,08	740	630
S-SERVO-ST-56S-PG-PN25	12,9				25	0,00144 °	27	50	0~120		870	790
S-SERVO-ST-56S-PG-PN40	20,6				40	0,0009 °	27	50	0~75		1000	970
S-SERVO-ST-56S-PG-PN50	25,8				50	0,00072 °	27	50	0~60		1100	1000
S-SERVO-ST-56M-PG-PN3	2,6	200x10 ⁻⁷	3	5	3	0,0012 °	18	35	0~1000	1,4	430	310
S-SERVO-ST-56M-PG-PN5	4,4				5	0,0072 °	27	50	0~600		510	390
S-SERVO-ST-56M-PG-PN8	7,0				8	0,0045 °	27	50	0~375	2,15	600	480
S-SERVO-ST-56M-PG-PN10	8,7				10	0,0036 °	18	35	0~333		640	530
S-SERVO-ST-56M-PG-PN15	12,7				15	0,0024 °	18	35	0~300	2,35	740	630
S-SERVO-ST-56M-PG-PN25	21,1				25	0,00144 °	27	50	0~120		870	790
S-SERVO-ST-56M-PG-PN40	27,0				40	0,0009 °	27	50	0~75		1000	970
S-SERVO-ST-56M-PG-PN50					50	0,00072 °	27	50	0~60		1100	1000
S-SERVO-ST-56L-PG-PN3	4,3	480x10 ⁻⁷	3	5	3	0,012 °	18	35	0~1000	1,1	430	310
S-SERVO-ST-56L-PG-PN5	7,2				5	0,0072 °	27	50	0~600		510	390
S-SERVO-ST-56L-PG-PN8	11,4				8	0,0045 °	27	50	0~375	2,22	600	480
S-SERVO-ST-56L-PG-PN10	14,3				10	0,0036 °	18	35	0~333		640	530
S-SERVO-ST-56L-PG-PN15	18,0				15	0,0024 °	18	35	0~300	2,42	740	630
S-SERVO-ST-56L-PG-PN25	27,0				25	0,00144 °	27	50	0~120		870	790
S-SERVO-ST-56L-PG-PN40					40	0,0009 °	27	50	0~75		1000	970
S-SERVO-ST-56L-PG-PN50					50	0,00072 °	27	50	0~60		1100	1000

Gearbox Installed Motor Specification and Size

3. Gearbox for 60mm Motor Specification

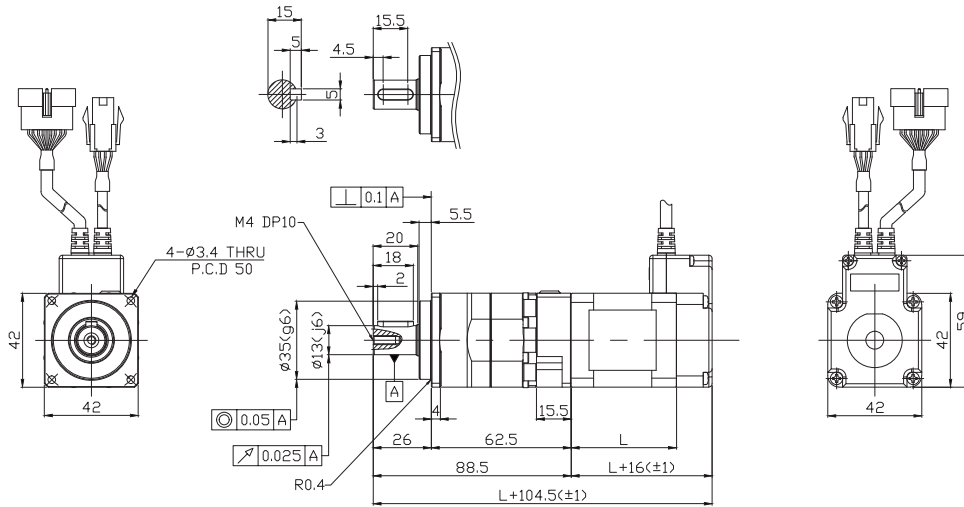
Model Name	Maximum Holding Torque (N · m)	Rotor Inertia Moment (Kg · m ²)	Backlash (min)	Angle Transmission Error (min)	Reduction Gear Ratio	Resolution (10,000ppr Standard)	Permitted Torque (N · m)	Maximum Torque (N · m)	Permitted Speed Range (rpm)	Unit Weight (Kg)	Permitted Overhung Load (N)	Permitted Thrust Load (N)
											Axis Center Standard	
S-SERVO-ST-60S-PG-PN3	2.6	140x10 ⁻⁷	3	5	3	0.012 °	18	35	0~1000	1.4	430	310
S-SERVO-ST-60S-PG-PN5	4.4				5	0.0072 °	27	50	0~600		2.0	510
S-SERVO-ST-60S-PG-PN8	7.0				8	0.0045 °	27	50	0~375	2.2		600
S-SERVO-ST-60S-PG-PN10	8.8				10	0.0036 °	18	35	0~333		2.2	640
S-SERVO-ST-60S-PG-PN15	12.7				15	0.0024 °	18	35	0~300	2.2		740
S-SERVO-ST-60S-PG-PN25	21.2				25	0.00144 °	27	50	0~120		2.2	870
S-SERVO-ST-60S-PG-PN40	27.0				40	0.0009 °	27	50	0~75	2.2		1000
S-SERVO-ST-60S-PG-PN50					50	0.00072 °	27	50	0~60		1100	1000
S-SERVO-ST-60M-PG-PN3	3.6	320x10 ⁻⁷	3	5	3	0.012 °	18	35	0~1000	1.4	430	310
S-SERVO-ST-60M-PG-PN5	6.0				5	0.0072 °	27	50	0~600		2.3	510
S-SERVO-ST-60M-PG-PN8	9.6				8	0.0045 °	27	50	0~375	2.5		600
S-SERVO-ST-60M-PG-PN10	12.0				10	0.0036 °	18	35	0~333		2.5	640
S-SERVO-ST-60M-PG-PN15	17.4				15	0.0024 °	18	35	0~300	2.5		740
S-SERVO-ST-60M-PG-PN25	27.0				25	0.00144 °	27	50	0~120		2.5	870
S-SERVO-ST-60M-PG-PN40					40	0.0009 °	27	50	0~75	2.5		1000
S-SERVO-ST-60M-PG-PN50					50	0.00072 °	27	50	0~60		1100	1000
S-SERVO-ST-60L-PG-PN3	7.1	800x10 ⁻⁷	3	5	3	0.012 °	18	35	0~1000	1.4	430	310
S-SERVO-ST-60L-PG-PN5	11.9				5	0.0072 °	27	50	0~600		3.0	510
S-SERVO-ST-60L-PG-PN8	19.0				8	0.0045 °	27	50	0~375	3.2		600
S-SERVO-ST-60L-PG-PN10	18.0				10	0.0036 °	18	35	0~333		3.2	640
S-SERVO-ST-60L-PG-PN15					15	0.0024 °	18	35	0~300	3.2		740
S-SERVO-ST-60L-PG-PN25	27.0				25	0.00144 °	27	50	0~120		3.2	870
S-SERVO-ST-60L-PG-PN40					40	0.0009 °	27	50	0~75	3.2		1000
S-SERVO-ST-60L-PG-PN50					50	0.00072 °	27	50	0~60		1100	1000

Gearbox Installed Motor Specification and Size

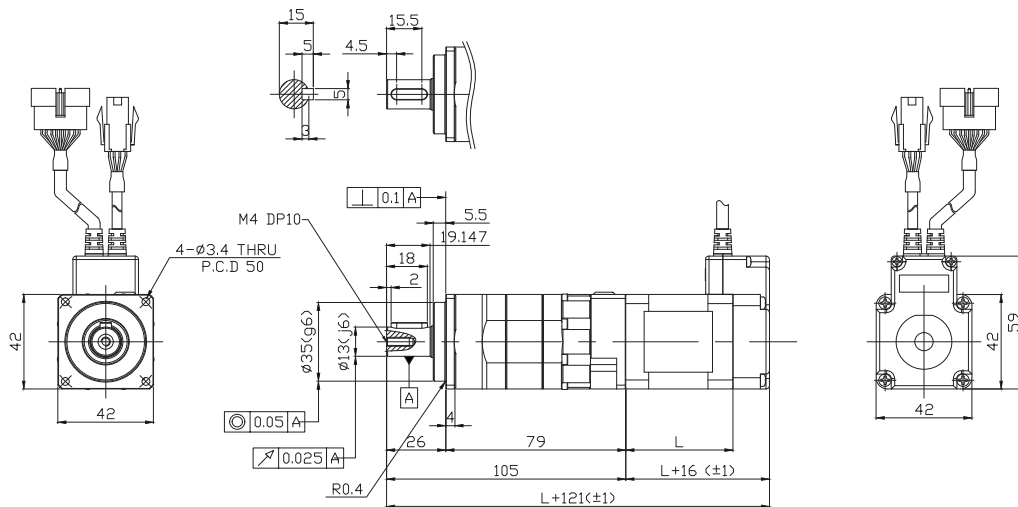
4. Motor Size(mm)

42

Model Name	Applied Motor Model Name	Stage	□ Second Stage	L Length (mm)
S-SERVO-ST-42S-PG-PN □ S-SERVO-MI-42S-PG-PN □	SM-42S-PG-PN □	Single Stage	3, 5, 8, 10	33
S-SERVO-ST-42M-PG-PN □ S-SERVO-MI-42M-PG-PN □	SM-42M-PG-PN □		3, 5, 8, 10	39
S-SERVO-ST-42L-PG-PN □ S-SERVO-MI-42L-PG-PN □	SM-42L-PG-PN □		3, 5, 8, 10	47
S-SERVO-ST-42XL-PG-PN □ S-SERVO-MI-42XL-PG-PN □	SM-42XL-PG-PN □		3, 5, 8, 10	59



Model Name	Applied Motor Model Name	Stage	□ Second Stage	L Length (mm)
S-SERVO-ST-42S-PG-PN □ S-SERVO-MI-42S-PG-PN □	SM-42S-PG-PN □	Second Stage	15, 25, 40, 50	33
S-SERVO-ST-42M-PG-PN □ S-SERVO-MI-42M-PG-PN □	SM-42M-PG-PN □		15, 25, 40, 50	39
S-SERVO-ST-42L-PG-PN □ S-SERVO-MI-42L-PG-PN □	SM-42L-PG-PN □		15, 25, 40, 50	47
S-SERVO-ST-42XL-PG-PN □ S-SERVO-MI-42XL-PG-PN □	SM-42XL-PG-PN □		15, 25, 40, 50	59

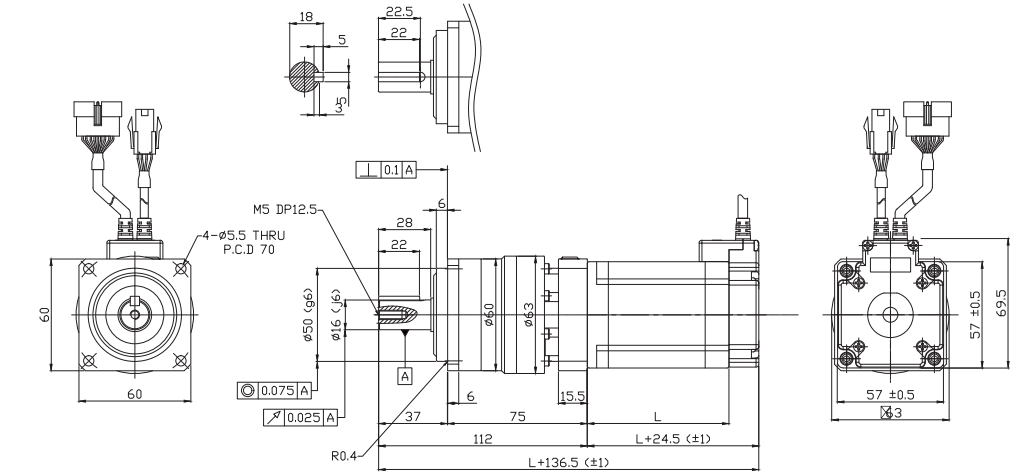


Gearbox Installed Motor Specification and Size

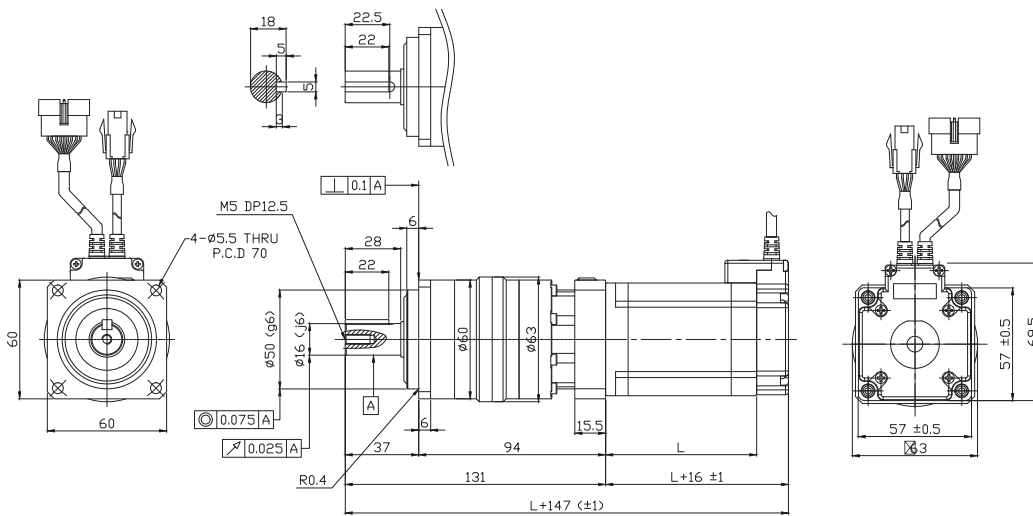
4. Motor Size(mm)

56

Model Name	Applied Motor Model Name	Stage	□Second Stage	L Length (mm)
S-SERVO-ST-56S-PG-PN□	SM-56S-PG-PN□	Single Stage	3, 5, 8, 10	41
S-SERVO-ST-56M-PG-PN□	SM-56M-PG-PN□		3, 5, 8, 10	51
S-SERVO-ST-56L-PG-PN□	SM-56L-PG-PN□		3, 5, 8, 10	76



Model Name	Applied Motor Model Name	Stage	□Second Stage	L Length (mm)
S-SERVO-ST-56S-PG-PN□	SM-56S-PG-PN□	Second Stage	15, 25, 40, 50	41
S-SERVO-ST-56M-PG-PN□	SM-56M-PG-PN□		15, 25, 40, 50	51
S-SERVO-ST-56L-PG-PN□	SM-56L-PG-PN□		15, 25, 40, 50	76

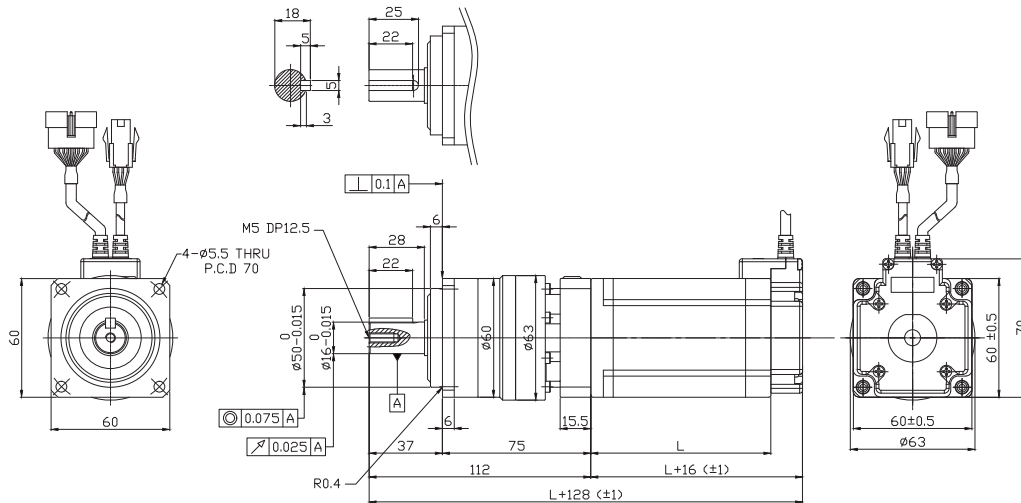


Gearbox Installed Motor Specification and Size

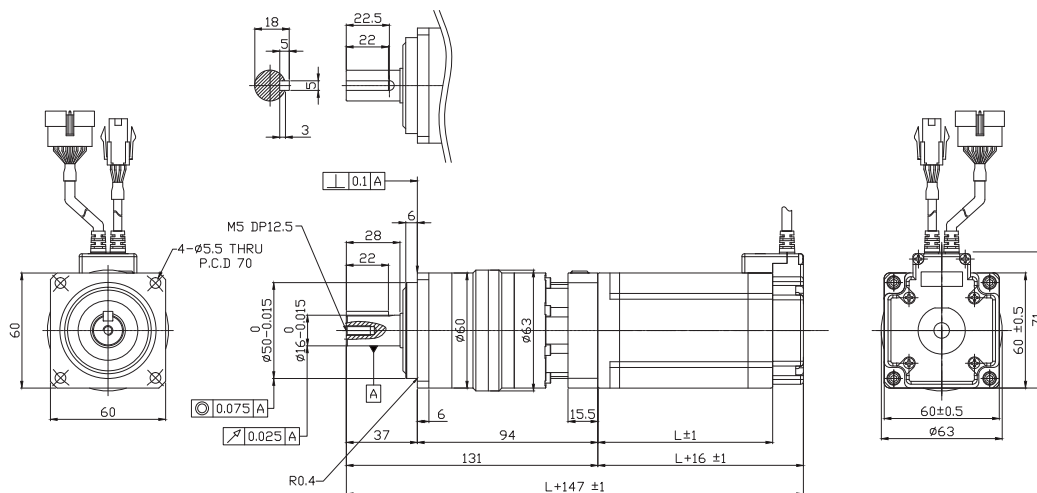
4. Motor Size(mm)

60

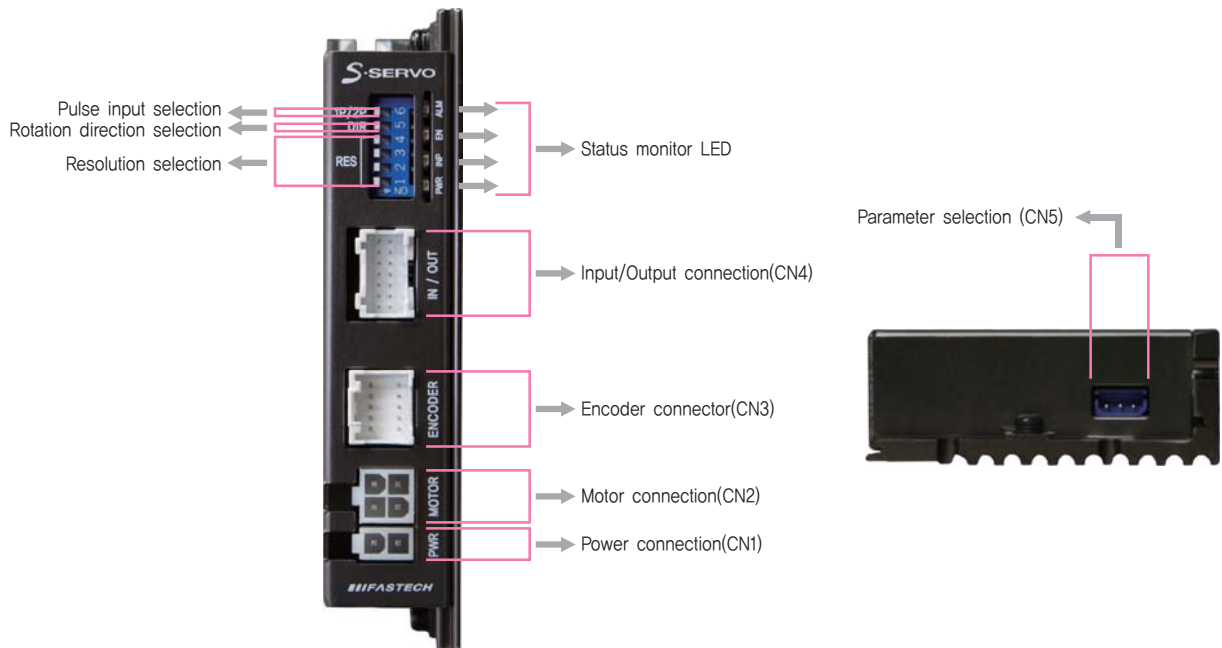
Model Name	Applied Motor Model Name	Stage	□Second Stage	L Length (mm)
S-SERVO-ST-60S-PG-PN □	SM-60S-PG-PN □	Single Stage	3, 5, 8, 10	46
S-SERVO-ST-60M-PG-PN □	SM-60M-PG-PN □		3, 5, 8, 10	56
S-SERVO-ST-60L-PG-PN □	SM-60L-PG-PN □		3, 5, 8, 10	90



Model Name	Applied Motor Model Name	Stage	□Second Stage	L Length (mm)
S-SERVO-ST-60S-PG-PN □	SM-60S-PG-PN □	Second Stage	15, 25, 40, 50	46
S-SERVO-ST-60M-PG-PN □	SM-60M-PG-PN □		15, 25, 40, 50	56
S-SERVO-ST-60L-PG-PN □	SM-60L-PG-PN □		15, 25, 40, 50	90



Setting and Operation [S-SERVO ST]



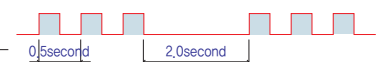
1. Status Monitor LED

Indication	Color	Function	ON/OFF Condition
PWR	Green	Power Input Indication	LED is turned ON when power is applied
INP	Yellow	Complete Positioning Motion	Light on when Position Deviation located within preset value* from target position, after Position Commando Pulse Input is completed
EN	Orange	Motor Enable Status	Enable : Lights On, Disable : Lights Off
ALM	Red	Alarm Indication	Flash when protection function is activated (Identifiable which protection mode is activated by counting the blinking times)

* Default = 0
Can be selected by parameter setting GUI

◆ Protection functions and LED flash times

Times	Protection	Conditions
1	Over Current Error	The current through power devices in inverter exceeds the limit value
2	Over Speed Error	Motor speed exceed 3,000rpm
3	Position Tracking Error	Position error value is higher than 90° in motor run state
4	Over Load Error	The motor is continuously operated more than 5 second under a load exceeding the max, torque
5	Over Temperature Error	Inside temperature of drive exceeds 65°C
6	Over Regenerated Voltage Error	Back-EMF more than 40V
7	Motor Connect Error	The power is ON without connection of the motor cable to drive
8	Encoder Connect Error	Cable connection error with Encoder connector in drive
9	Motor Voltage Error	Motor voltage less than 20V
10	In-Position Error	After operation is finished, a position error occurs
12	ROM Error	Error occurs in parameter storage device(ROM)
15	Position Overflow error	Position error value is higher than 90° in motor stop state



Alarm LED flash (ex: Position tracking error)

2. Resolution Selection Switch(SW1.1~SW1.4)

The number of pulse per revolution.

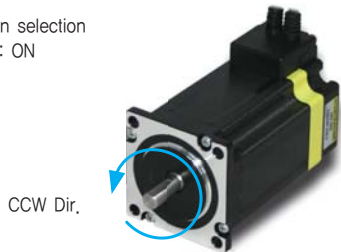
Position(SW1)				Pulse/Revolution	Position(SW1)				Pulse/Revolution
1	2	3	4		1	2	3	4	
1	1	1	1	500	0	1	1	1	6,400
1	1	1	0	1,000	0	1	1	0	8,000
1	1	0	1	1,600	0	1	0	1	10,000
1	1	0	0	2,000	0	1	0	0	20,000
1	0	1	1	3,200	0	0	1	1	25,000
1	0	1	0	3,600	0	0	1	0	36,000
1	0	0	1	4,000	0	0	0	1	40,000
1	0	0	0	5,000	0	0	0	0	50,000

* Default = 10,000

3. Rotational Direction Selection Switch(SW1.5)

Indication	Switch Name	Functions
DIR	Switching Rotational Direction	Based on CW(+Dir signal) input to driver, ON : CCW(-Direction) OFF : CW(+Direction) * Default : CW mode

Direction selection switch : ON

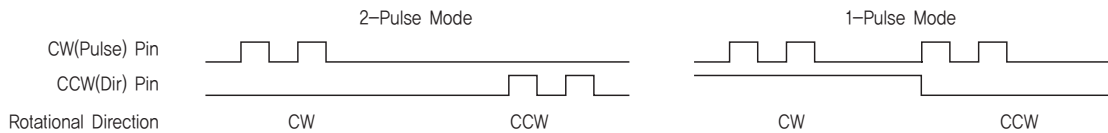


Direction selection switch : OFF



4. Pulse Input Selection Switch(SW1.6)

Indication	Switch Name	Functions
2P/1P	Selecting Pulse Input Mode	Selectable 1-Pulse input mode or 2-Pulse input mode as Pulse input signal, ON : 1-Pulse mode OFF : 2-Pulse mode * Default : 2-Pulse mode



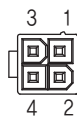
5. Power Connector(CN1)

NO.	Function
1	24VDC ±10%
2	GND



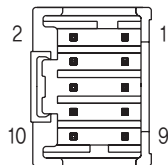
6. Motor Connector(CN2)

NO.	Function
1	A Phase
2	B Phase
3	/A Phase
4	/B Phase



7. Encoder Connector(CN3)

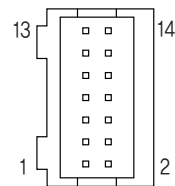
NO.	Function	I/O
1	A+	Input
2	A-	Input
3	B+	Input
4	B-	Input
5	NC	---
6	NC	---
7	5VDC	Output
8	5GND	Output
9	F. GND	---
10	F. GND	---



8. Input/Output Signal(CN4)

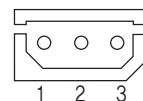
NO.	Function	I/O
1	Brake-	Output
2	Brake+	Output
3	24GND(EXT)	Input
4	24V(EXT)	Input
5	Alarm Reset	Input
6	Enable	Input
7	Alarm	Output
8	In-Position	Output
9	Open Collector Input	Input
10	F. GND	---
11	CW-(Pulse-)	Input
12	CW+(Pulse+)	Input
13	CCW-(Dir-)	Input
14	CCW+(Dir+)	Input

* Brake is optional.

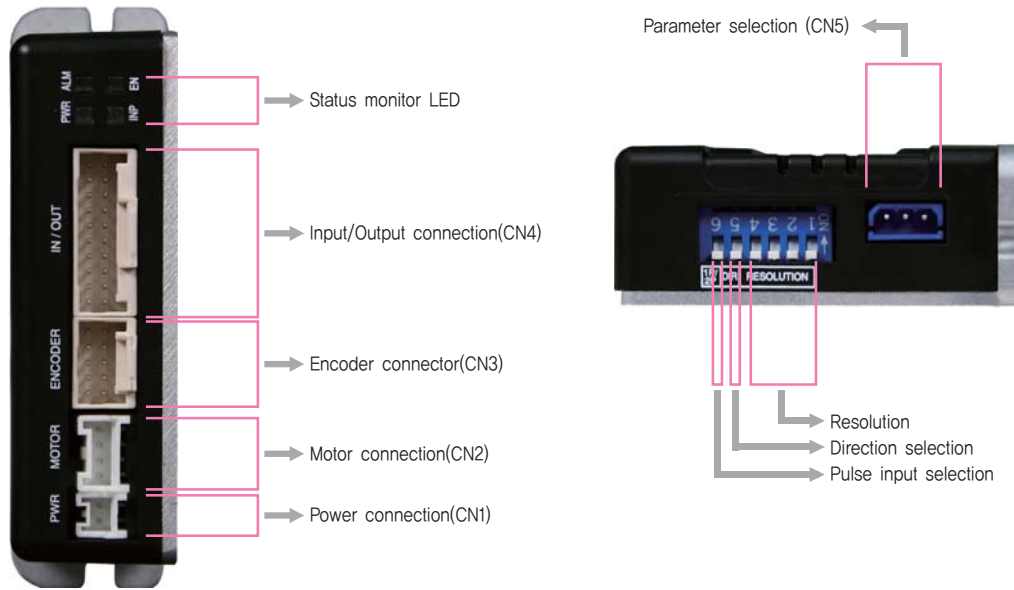


9. Parameter Connector(CN5)

NO.	Function	I/O
1	TX	Output
2	RX	Input
3	GND	---



Setting and Operation [S-SERVO MINI]



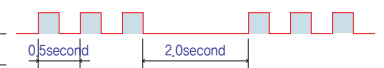
1. Status Monitor LED

Indication	Color	Function	ON/OFF Condition
PWR	Green	Power Input Indication	LED is turned ON when power is applied
INP	Yellow	Complete Positioning Motion	Light on when Position Deviation located within preset value* from target position, after Position Commando Pulse Input is completed
EN	Orange	Motor Enable Status	Enable : Lights On, Disable : Lights Off
ALM	Red	Alarm Indication	Flash when protection function is activated (Identifiable which protection mode is activated by counting the blinking times)

* Default = 0
Can be selected by parameter setting GUI

◆ Protection functions and LED flash times

Times	Protection	Conditions
1	Over Current Error	The current through power devices in inverter exceeds the limit value
2	Over Speed Error	Motor speed exceed 3,000rpm
3	Position Tracking Error	Position error value is higher than 90° in motor run state
4	Over Load Error	The motor is continuously operated more than 5 second under a load exceeding the max. torque
5	Over Temperature Error	Inside temperature of drive exceeds 65°C
6	Over Regenerated Voltage Error	Back-EMF more than 40V
7	Motor Connect Error	The power is ON without connection of the motor cable to drive
8	Encoder Connect Error	Cable connection error with Encoder connector in drive
9	Motor Voltage Error	Motor voltage less than 20V
10	In-Position Error	After operation is finished, a position error occurs
12	ROM Error	Error occurs in parameter storage device(ROM)
15	Position Overflow Error	Position error value is higher than 90° in motor stop state



Alarm LED flash (ex: Position tracking error)

2. Resolution Selection Switch(SW1.1~SW1.4)

The number of pulse per revolution.

Position(SW1)				Pulse/Revolution	Position(SW1)				Pulse/Revolution
1	2	3	4		1	2	3	4	
1	1	1	1	500	0	1	1	1	6,400
1	1	1	0	1,000	0	1	1	0	8,000
1	1	0	1	1,600	0	1	0	1	10,000
1	1	0	0	2,000	0	1	0	0	20,000
1	0	1	1	3,200	0	0	1	1	25,000
1	0	1	0	3,600	0	0	1	0	36,000
1	0	0	1	4,000	0	0	0	1	40,000
1	0	0	0	5,000	0	0	0	0	50,000

* Default = 10,000

3. Rotational Direction Selection Switch(SW1.5)

Indication	Switch Name	Functions
DIR	Switching Rotational Direction	Based on CW(+Dir signal) input to driver, ON : CCW(-Direction) OFF : CW(+Direction) * Default : CW mode

Direction selection switch : ON

CCW Dir.



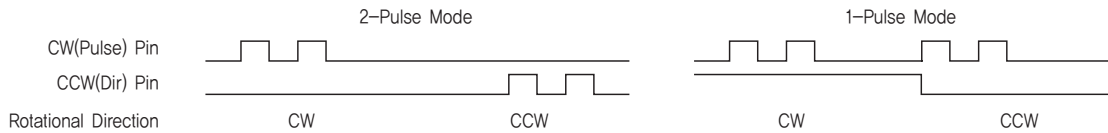
Direction selection switch : OFF

CW Dir.



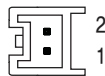
4. Pulse Input Selection Switch(SW1.6)

Indication	Switch Name	Functions
2P/1P	Selecting pulse input mode	Selectable 1-Pulse input mode or 2-Pulse input mode as Pulse input signal, ON : 1-Pulse mode OFF : 2-Pulse mode * Default : 2-Pulse mode



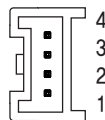
5. Power Connector(CN1)

NO.	Function
1	24VDC $\pm 10\%$
2	GND



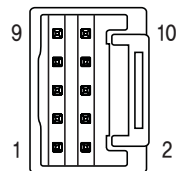
6. Motor Connector(CN2)

NO.	Function
1	B Phase
2	/B Phase
3	/A Phase
4	A Phase



7. Encoder Connector(CN3)

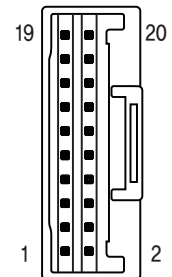
NO.	Function	I/O
1	A+	Input
2	A-	Input
3	B+	Input
4	B-	Input
5	NC	---
6	NC	---
7	5VDC	Output
8	5GND	Output
9	F. GND	---
10	F. GND	---



8. Input/Output Signal(CN4)

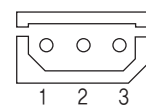
NO.	Function	I/O
1	CW+(Pulse+)	Input
2	CW-(Pulse-)	Input
3	CCW+(Dir+)	Input
4	CCW-(Dir-)	Input
5	NC	---
6	NC	---
7	NC	---
8	NC	---
9	NC	---
10	NC	---
11	Alarm	Output
12	In-Position	Output
13	Enable	Input
14	Alarm Reset	Input
15	Open Collector Input	Input
16	Brake+	Output
17	Brake-	Output
18	NC	---
19	24GND(EXT)	Input
20	24V(EXT)	Input

* Brake is optional.

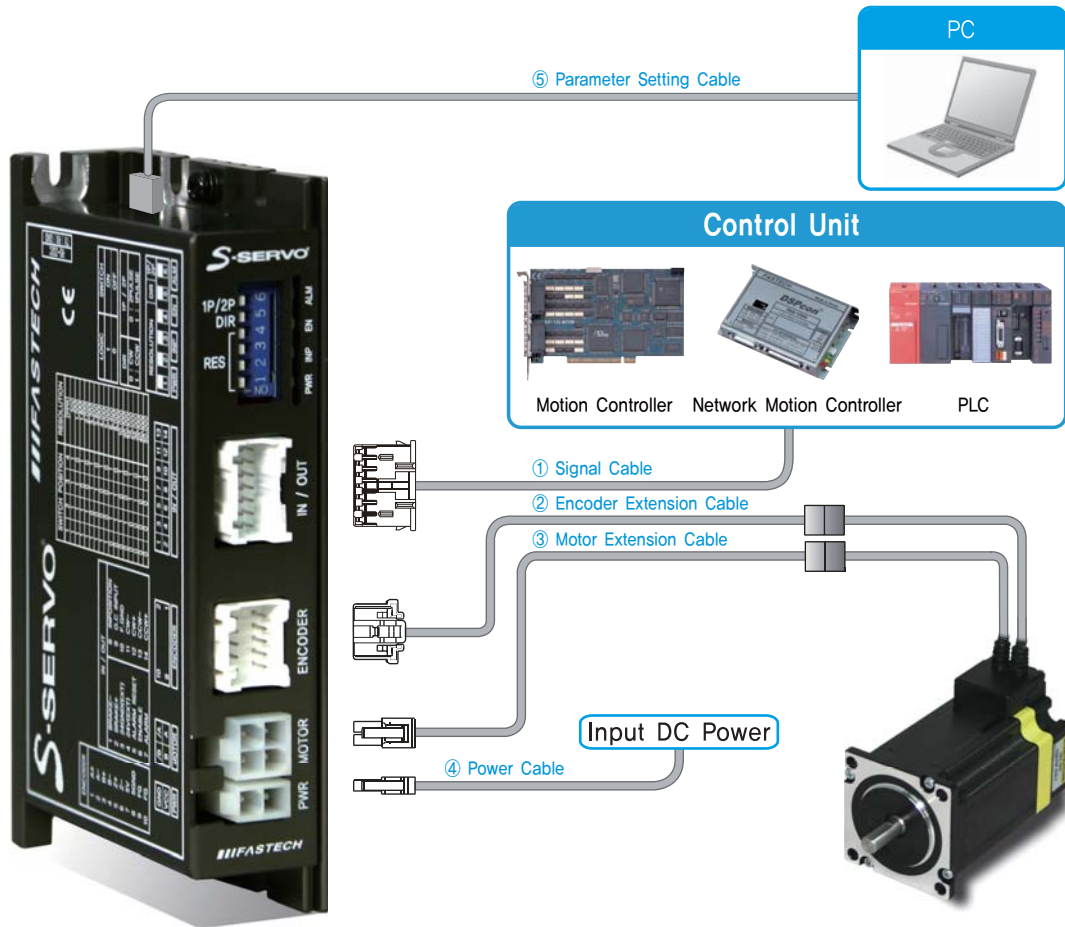


9. Parameter Connector(CN5)

NO.	Function	I/O
1	TX	Output
2	RX	Input
3	GND	---



System Configuration [S-SERVO ST]



Type	Signal Cable	Encoder Cable	Motor Cable	Power Cable	Parameter Setting Cable
Standard Length	-	30cm	30cm	-	-
Max. Length	20m	20m	20m	2m	2m

Accessories [S-SERVO ST]

Purpose		ITEM	Standard	Quantity	Manufacturer
I/O Connections(CN1)		Housing	PADP-14V-1-S	1	JST
		Terminal	SPH-002T-P0,5L	16	
Encoder Connection	Drive Side(CN2)	Housing	51353-1000	1	MOLEX
		Terminal	56134-9000	12	
	Encoder Side	Housing	SMP-09V-NC	1	JST
		Terminal	SHF-001T-0,8BS	10	
Motor Connection	Drive Side(CN3)	Housing	5557-04R	1	MOLEX
		Terminal	5556T	5	
	Motor Side	Housing	5557-04R	1	
		Terminal	5556T	5	
Power Connection(CN4)		Housing	5557-02R	1	
		Terminal	5556T	3	

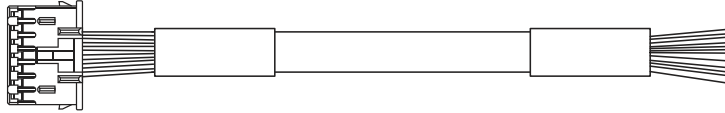
[S-SERVO ST] Cable Option

① Signal Cable

Model Name	Length(m)	Remark
CSSO-S-□□□F	□□□	Normal Cable
CSSO-S-□□□M	□□□	Robot Cable

□ is for Cable Length, The unit is 1m and Max, 20m Length,

Manufacturer : JST
Housing : PADP-14V-1-S
Terminal : SPH-002T-P0,5L

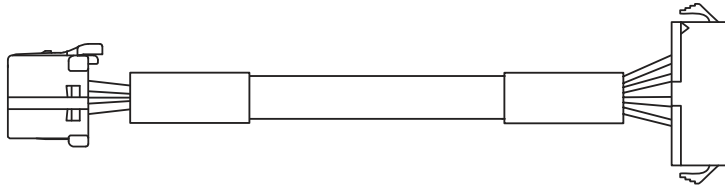


② Encoder Extension Cable

Model Name	Length(m)	Remark
CSVO-E-□□□F	□□□	Normal Cable
CSVO-E-□□□M	□□□	Robot Cable

□ is for Cable Length, The unit is 1m and Max, 20m Length,

Manufacturer : MOLEX
Housing : 51353-1000
Terminal : 56134-9000



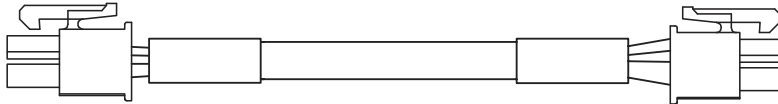
Manufacturer : JST
Housing : SMP-09V-NC
Terminal : SHF-001T-0,8BS

③ Motor Extension Cable

Model Name	Length(m)	Remark
CSVO-M-□□□F	□□□	Normal Cable
CSVO-M-□□□M	□□□	Robot Cable

□ is for Cable Length, The unit is 1m and Max, 20m Length,

Manufacturer : MOLEX
Housing : 5557-04R
Terminal : 5556T



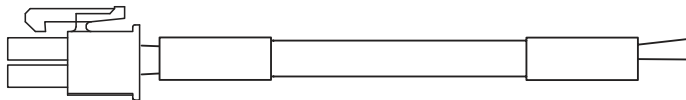
Manufacturer : MOLEX
Housing : 5557-04R
Terminal : 5556T

④ Drive Power Cable

Model Name	Length(m)	Remark
CSVO-P-□□□F	□□□	Normal Cable
CSVO-P-□□□M	□□□	Robot Cable

□ is for Cable Length, The unit is 1m and Max, 2m Length,

Manufacturer : MOLEX
Housing : 5557-02R
Terminal : 5556T

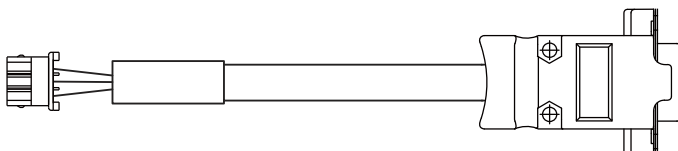


⑤ Parameter Setting Cable

Model Name	Length(m)	Remark
CBTS-C-□□□F	□□□	Normal Cable

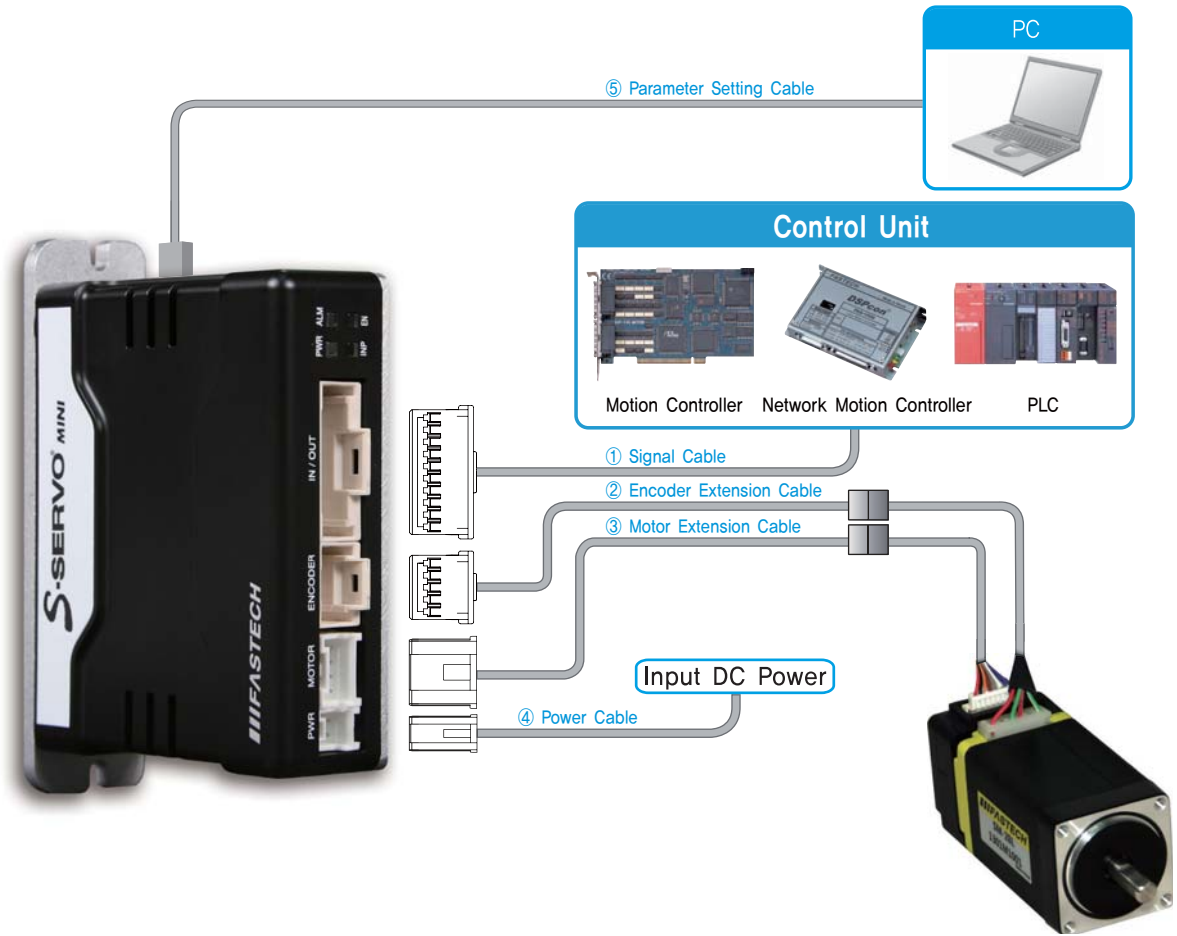
□ is for Cable Length, The unit is 1m and Max, 2m Length,

Manufacturer : MOLEX
Housing : 5264-03
Terminal : 5263



Manufacturer : AMPHENOL
Connector : L177SDE09S
Backshell : 17E-1657-09

System Configuration [S-SERVO MINI]



Type	Signal Cable	Encoder Cable	Motor Cable	Power Cable	Parameter Setting Cable
Standard Length	–	30cm	30cm	–	–
Max. Length	20m	20m	20m	2m	2m

Accessories [S-SERVO MINI]

Purpose		ITEM	Standard	Quantity	Manufacturer
I/O Connections(CN1)		Housing	501646-2000	1	MOLEX
		Terminal	501648-1000	23	
Encoder Connection	Drive Side(CN2)	Housing	501646-1000	1	MOLEX
		Terminal	501648-1000	12	
	Encoder Side	Housing	SMP-09V-NC	1	JST
		Terminal	SHF-001T-0,8BS	10	
Motor Connection	Drive Side(CN3)	Housing	PAP-04V-S	1	JST
		Terminal	SPHD-001T-P0,5	5	
	Motor Side	Housing	5557-04R	1	MOLEX
		Terminal	5556T	5	
Power Connection(CN4)		Housing	PAP-02V-S	1	JST
		Terminal	SPHD-001T-P0,5	3	

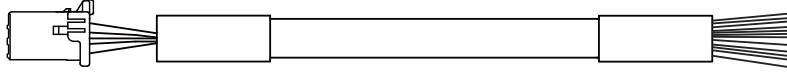
[S-SERVO MINI] Cable Option

①Signal Cable

Model Name	Length(m)	Remark
CSSM-S-□□□F	□□□	Normal Cable
CSSM-S-□□□M	□□□	Robot Cable

□ is for Cable Length, The unit is 1m and Max, 20m Length,

Manufacturer : MOLEX
Housing : 501646-1000
Terminal : 501648-1000

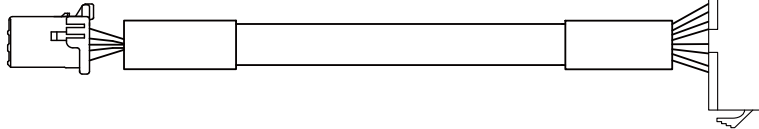


②Encoder Extension Cable

Model Name	Length(m)	Remark
CSV1-E-□□□F	□□□	Normal Cable
CSV1-E-□□□M	□□□	Robot Cable

□ is for Cable Length, The unit is 1m and Max, 20m Length,

Manufacturer : MOLEX
Housing : 501646-1000
Terminal : 501648-1000



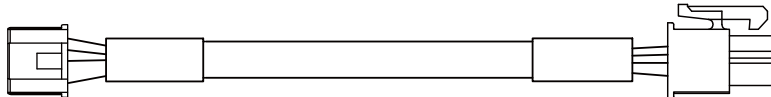
Manufacturer : JST
Housing : SMP-09V-NC
Terminal : SHF-001T-0.8BS

③Motor Extension Cable

Model Name	Length(m)	Remark
CMNB-M-□□□F	□□□	Normal Cable
CMNB-M-□□□M	□□□	Robot Cable

□ is for Cable Length, The unit is 1m and Max, 20m Length,

Manufacturer : JST
Housing : PAP-04V-S
Terminal : SPHD-001T-P0,5



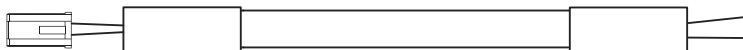
Manufacturer : MOLEX
Housing : 5557-04R
Terminal : 5556T

④Drive Power Cable

Model Name	Length(m)	Remark
CMNB-P-□□□F	□□□	Normal Cable
CMNB-P-□□□M	□□□	Robot Cable

□ is for Cable Length, The unit is 1m and Max, 2m Length,

Manufacturer : JST
Housing : PAP-02V-S
Terminal : SPHD-001T-P0,5

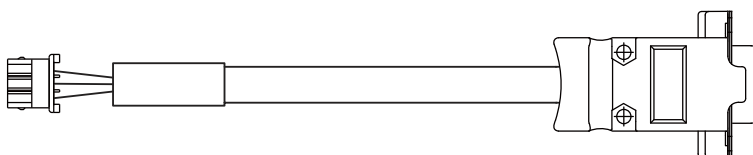


⑤Parameter Setting Cable

Model Name	Length(m)	Remark
CBTS-C-□□□F	□□□	Normal Cable

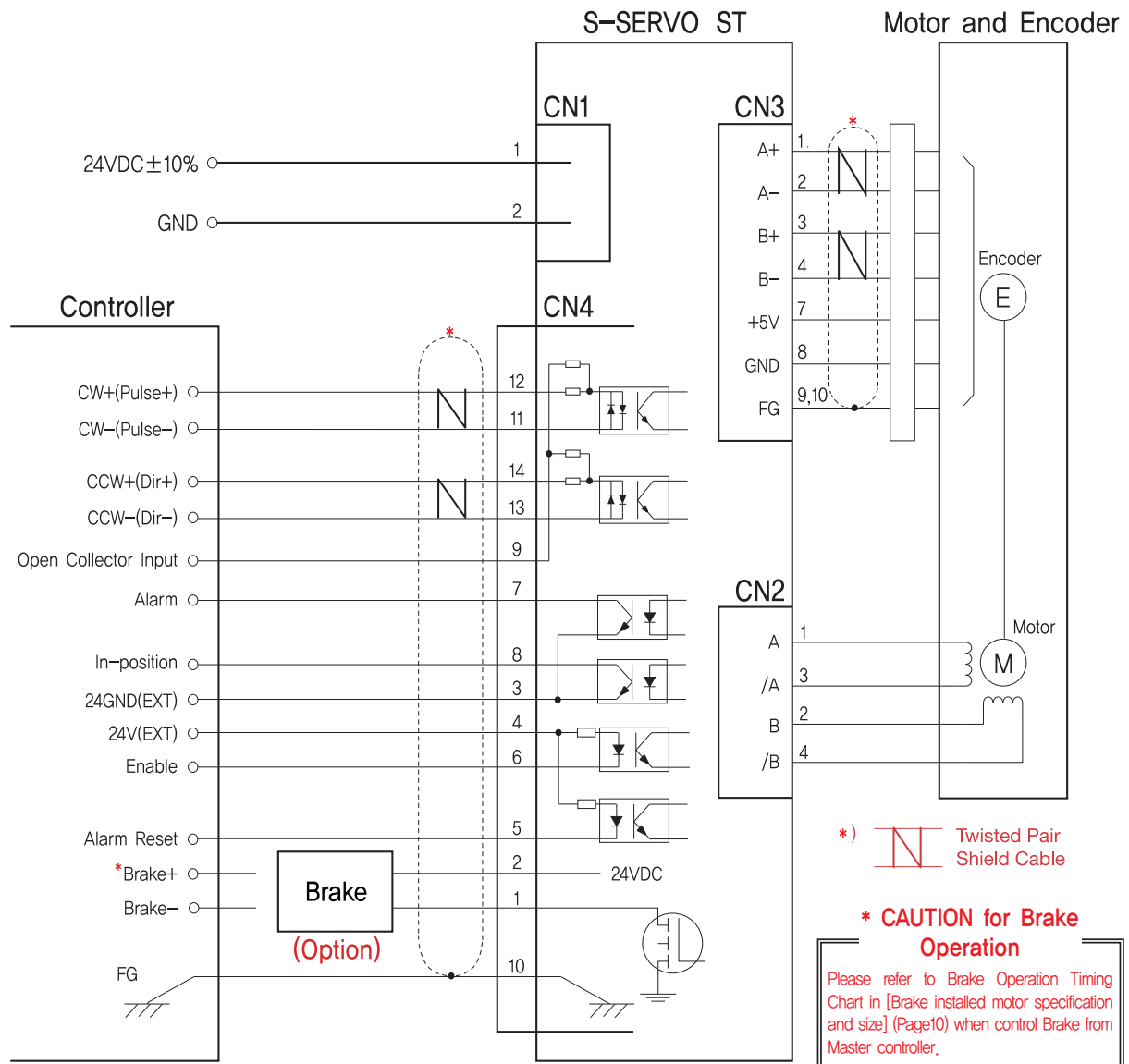
□ is for Cable Length, The unit is 1m and Max, 2m Length,

Manufacturer : MOLEX
Housing : 5264-03
Terminal : 5263



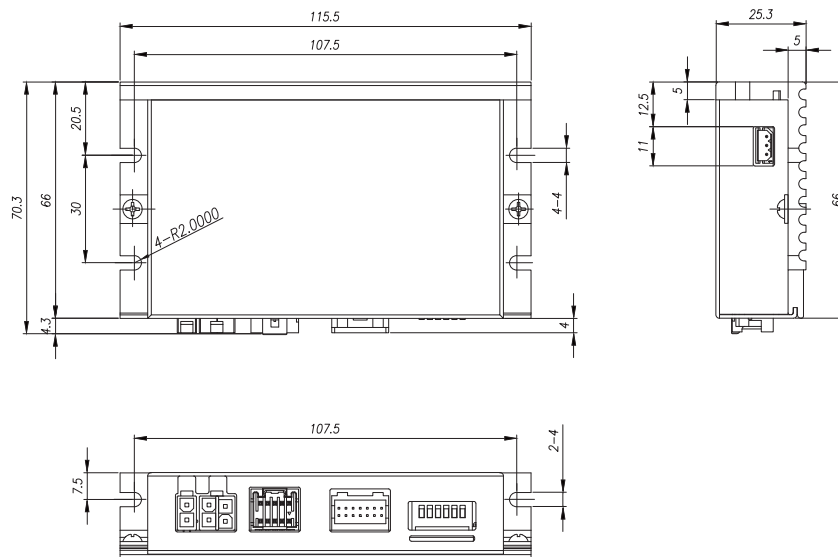
Manufacturer : AMPHENOL
Connector : L177SDE09S
Backshell : 17E-1657-09

External Wiring Diagram [S-SERVO ST]

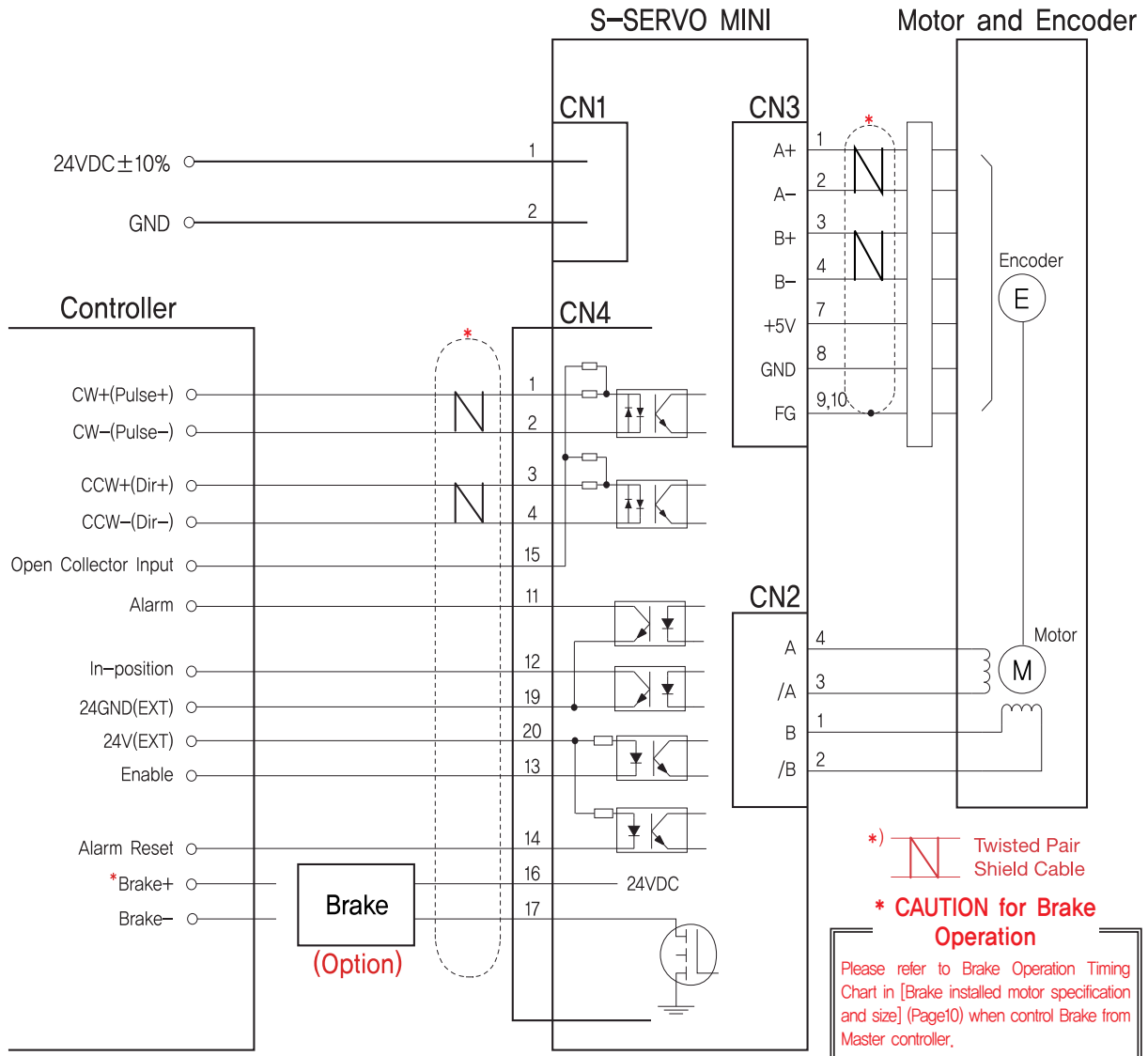


* Turn power off of S-SERVO drive and master controller when connect I/O cable between drive and master controller to avoid any damage.

Drive Size [S-SERVO ST] (mm)

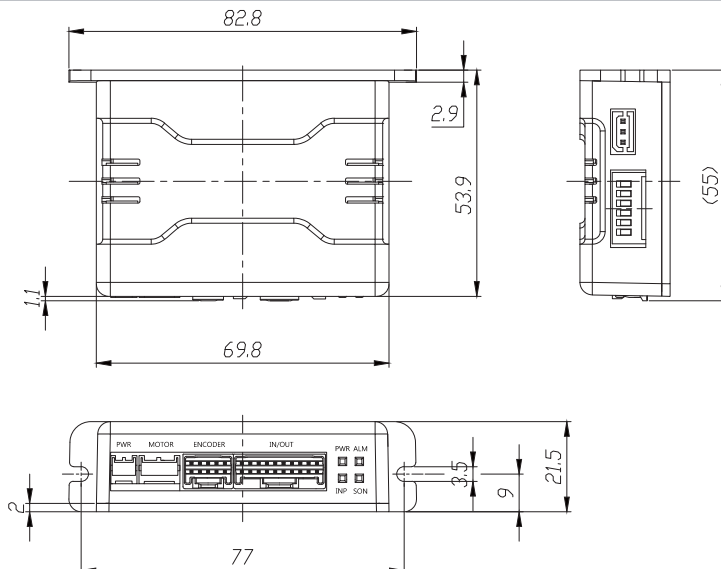


External Wiring Diagram [S-SERVO MINI]



* Turn power off of S-SERVO drive and master controller when connect I/O cable between drive and master controller to avoid any damage.

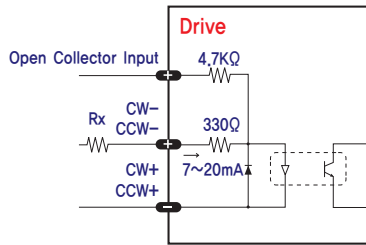
Drive Size [S-SERVO MINI] (mm)



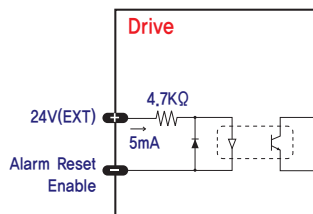
Control Signal Input/Output Description

1. Input Signal

Input signals of the drive are all photocoupler protected. The signal shows the status of internal photocouplers [ON: conduction], [OFF: Non-conduction], not displaying the voltage levels of the signal.



Functions	Pin Number	
	S-SERVO ST	S-SERVO MINI
Open Collector Input	9	15
CW+	12	1
CW-	11	2
CCW+	14	3
CCW-	13	4



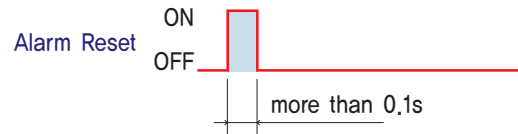
Functions	Pin Number	
	S-SERVO ST	S-SERVO MINI
24V(EXT)	4	20
Alarm Reset	5	14
Enable	6	13

◆ Enable Input

This input can be used only to adjust the position by manually moving the motor shaft from the load-side. By setting the signal [ON], the driver cuts off the power supply to the motor. Then, one can manually adjust output position. When setting the signal back to [OFF], the driver resumes the power to the motor and recovers the holding torque. When driving a motor, one needs to set the signal [OFF].

◆ Alarm Reset Input

When a protection mode has been activated, a signal to this alarm reset input cancels the Alarm output.



* By setting the alarm reset input signal [ON], cancel the Alarm output. Before cancel the Alarm output, have to remove the source of alarm.

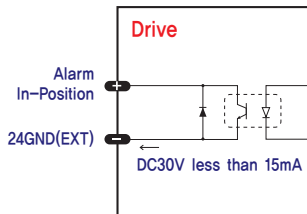
◆ CW, CCW Input

This signal can be used to receive a positioning pulse command from a user host motion controller. The user can select 1-pulse input mode or 2-pulse input mode (refer to switch No.1, SW1).

The input schematic of CW, CCW is designed for 5V TTL level. When using 5V level as an input signal, the resistor Rx is not used and connect to the driver directly. When the level of input signal is more than 5V, Rx resistor is required. If the resistor is absent, the drive will be damaged! If the input signal level is 12V, Rx value is 680ohm and 24V, Please use Open Collector Input.

2. Output Signals

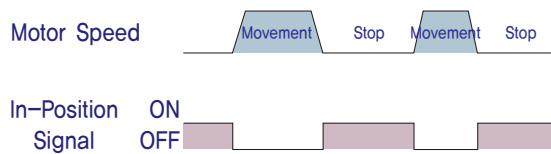
Output signals from the driver are photocoupler protected: Alarm, In-Position. The signal indicates the status of internal photocouplers [ON: conduction], [OFF: Non-conduction], not displaying the voltage levels of the signal.



Functions	Pin Number	
	S-SERVO ST	S-SERVO MINI
Alarm	7	11
In-Position	8	12
24GND(EXT)	3	19

◆ In-Position Output

In-Position signal is [ON] when positioning is completed. This signal is [ON] when the motor position error is within the value set by the switch SW4.



◆ Alarm Output

The Alarm output indicates [ON] when the driver is in abnormal operation. If a protection mode has been activated, it goes [OFF]. A host controller needs to detect this signal and stop sending a motor driving command. When the driver detects an abnormal operation such as overload or over current of the motor, it sets the Alarm output to [OFF], flashes the Alarm LED, disconnect the power to a motor and stops the motor simultaneously.

[Caution] Only at the Alarm output port, the photocoupler isolation is in reverse. When the driver is in normal operation the Alarm output is [ON]. On the contrary when the driver is in abnormal operation that start protection mode, the Alarm output is [OFF].

Parameter Setting GUI [User Interface]

S-SERVO driver utilizes various parameters for operation. Some parameters need to be adjusted once users feel inconvenience to use or in order to maximize efficiency. S-SERVO provides parameter modification program for convenience of product usage for users.

The screen shot as below is computer program (GUI) which used for operation process. Users can change and set the parameters of drive for Enable Level, Alarm Reset Level, In-Position Level, Alarm Output Level. Users can use S-SERVO according to its own system.



* Parameter setting program (GUI) can be downloaded from website (www.fastech.co.kr).

* Parameter setting program (GUI) support Windows XP, VISTA, 7,8 (32,64bit).

* Parameter setting program (GUI) can be updated without warning to increase performance and convenience of user.

The content below is a description of the function for the parameter. Please refer to the attached sheet when set the parameters. The input and output terminal of drive are all photocoupler. The signal shows the status of internal photocouplers [ON: conduction], [OFF: Non-conduction], not displaying the voltage levels of the signal.

Parameters	The Initial Value	Range	Function
Active Level of Alarm Reset Signal	High	Low, High	Set the level of input signal of Alarm Reset. When set it to High and input of Alarm Reset is [ON], the Alarm output will be offed.
Active Level of Alarm Signal	Low	Low, High	Set the level of output signal of Alarm Reset. When set it to Low, the Alarm output is [ON] when normal state, and the Alarm output is [OFF] when protection function is operated.
Active Level of In Position Signal	High	Low, High	Set the level of output signal of In-Position. When set it to High, In-Position output after completion of motor movement, output become [ON]
Active Level of Enable Signal	High	Low, High	Set the level of input signal of Enable input. When set it to High, if Enable input is [ON], drive will stop to power supply to the motor.
Stop Current	50%	20%~100%	Stop Current means motor current which is set automatically after 0.1 seconds of motor is stopped. This parameter is used for reduce the temperature when the motor is stopped for a long time. The motor temperature can rises if set the Stop Current more than 60%.
In-Position Value	0pulse	0~63pulse	It shows output conditions of positioning complete signal. In-Position output signal is generated when the pulse number of positional error is lower than selected In-position value set by this switch after positioning command is executed.
In-Position Value Response Mode	Fast	Fast, Accurate	It shows output conditions of positioning complete signal.

MEMO



Fast, Accurate, Smooth Motion

FASTECH Co., Ltd.

Rm #1202, Bucheon Technopark 401 Dong, Yakdea-dong,
Wonmi-Gu, Bucheon-si, Gyeonggi-do, Rep. Of Korea (Zip)420-734
TEL : 82-32-234-6300,6301 FAX : 82-32-234-6302
E-mail : fastech@fastech.co.kr Homepage : www.fastech.co.kr



Registered
ISO 9001:2008 / ISO 14001:2004